



By Appointment to
Her Majesty Queen Elizabeth II
Manufacturer of Kitchen & Bathroom Taps & Mixers
Barber Wilsons & Co. Ltd.

BARBER WILSONS & CO LTD



VENTED WATER FITTINGS
FOR USE WITH GEYSER TYPE INSTALLATIONS

Vented Taps for use with geyser type installations



Regent (R)



Regent with ceramic disc (RCD)



Mastercraft (MC)



1890's (GA)



1890's with ceramic disc (GCD)



Regent with china lever handles (RFC)



Contemporary Q range



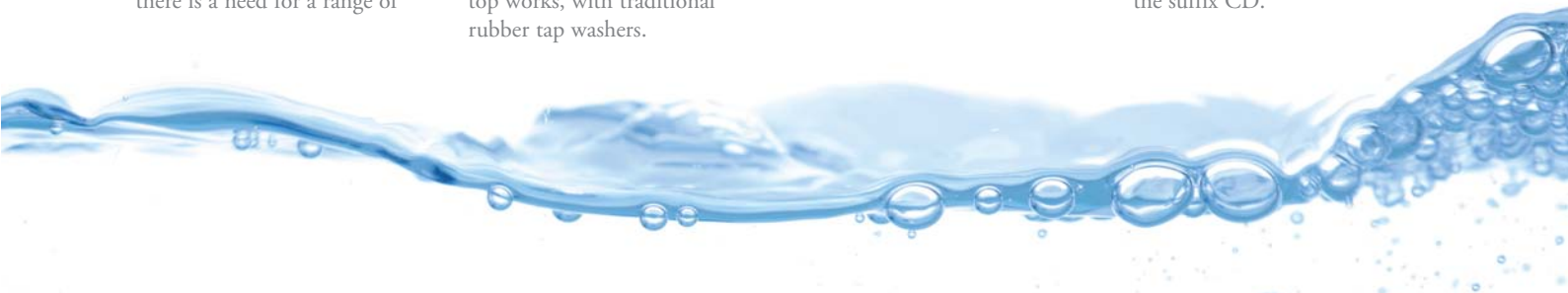
Lever (HEC-HFC)

Under-sink single point water heaters require taps with “open atmosphere” outlets known as vented taps. If a conventional tap were connected to such a water heater, a dangerous and potentially explosive situation could develop should the water heater malfunction and overheat. Vented taps control the flow of water to the inlet of the water heater rather than from the outlet. Barber Wilsons is aware that there is a need for a range of

luxury taps and mixers for installations of this nature where a “top of the market” appearance is required. All of the taps and mixers in this brochure come from our standard catalogue and have been specially adapted to meet this criterion. They are also easily serviceable when necessary and are fitted with state of the art internals. Styles available: The 1890s (GA) range has the original exposed top works, with traditional rubber tap washers.

An alternative to this style is the Regent (R) range with “easy-clean” shrouded head parts. The code numbers for the Regent range are the same as the 1890's range but are prefixed with the letter 'R' instead of 'GA'. For most Regent and GA styles we can now supply ceramic disc headworks. Regent ceramic disc (RCD) and GA ceramic disc (GCD). These give traditional styling with state of the art ceramic disc internals.

The Mastercraft (MC) range is based on our original 1930's design and incorporates a stylish Art Deco theme of hexagonal capstans, shrouds and spouts. Again, the code numbers are the same as the 1890's range but are prefixed with the letters 'MC' instead of 'GA'. Mastercraft is not available with ceramic disc headworks. Throughout this catalogue taps which are available with ceramic discs are labelled with the suffix CD.





2123G (GA shown)
Also available R GCD RCD
 1/2" basin taps with 3" nose.

2124G (GA shown)
 1/2" basin taps with 4" nose.

Finish **Pair (Ex VAT)**
 Chrome/Nickel £193.00
 Inca £229.00



2123G



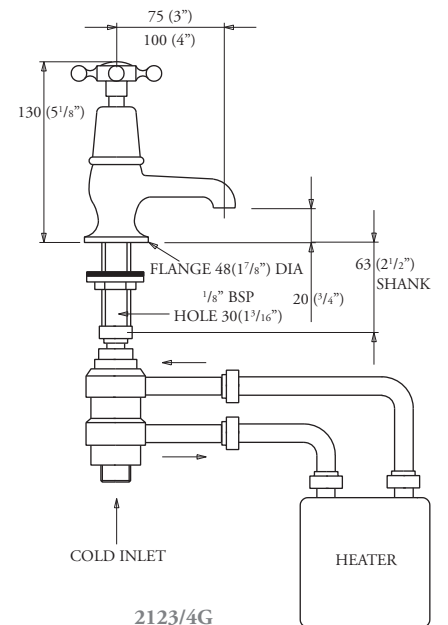
2124G

Ordering

Order code format:	Style	Item code	Finish
	RCD	2123G	NI

Style options: **GA:** 1890s
 R: Regent
 RCD: Regent with Ceramic Disk
 GCD: 1890s with Ceramic Disk
 MC: Mastercraft

Finish options: **CP:** Chrome **NI:** Nickel **IB:** Inca





2125G (GA shown)
 1/2" basin taps with 5" nose
 for use with inset basins.

Finish	Pair (Ex VAT)
Chrome/Nickel	£263.00
Inca	£319.00



2125G

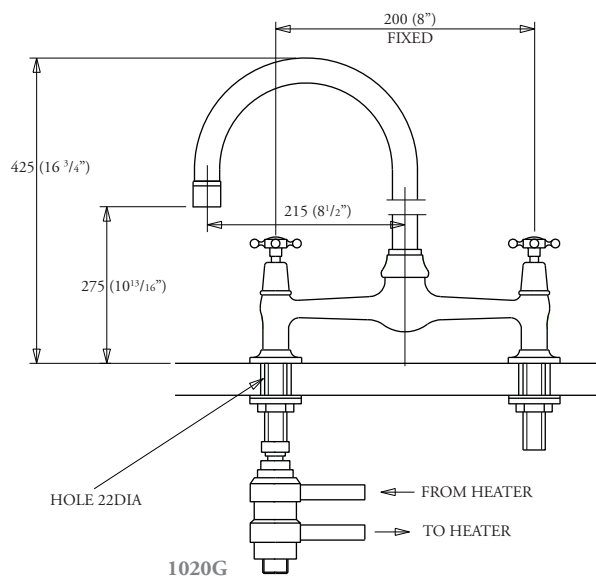
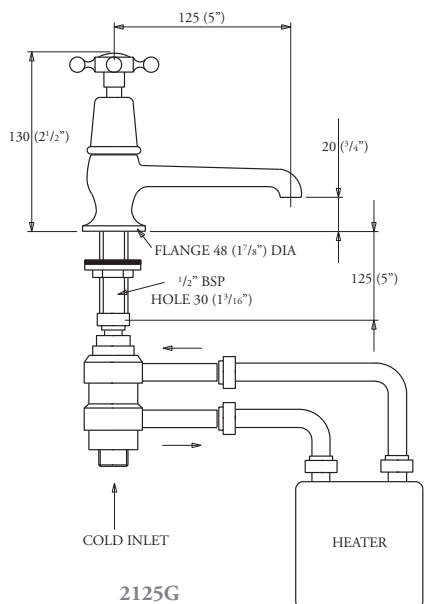
1020G RFC shown
 Also available GA R GCD RCD
 Mixer for fitting into work surface
 at a fixed centres of 203mm.

Finish	Each (Ex VAT)
GA R GCD RCD	
Chrome/Nickel	£319.00
Inca	£399.00
RFC HFC HEC	
Chrome/Nickel	£390.00
Inca	£472.00



1020G

4



Q2 - 2124G

Basin pillar tap.

Finish **Pair** (Ex VAT)
 Chrome/Nickel £340.00

Q2-6450G 115mm nozzle

3 Hole basin mixer with
 pop-up-waste.

Q2-6455G 140mm nozzle

3 Hole basin mixer with
 pop-up-waste.

Finish **Set** (Ex VAT)
 Chrome/Nickel £375.00

Also available

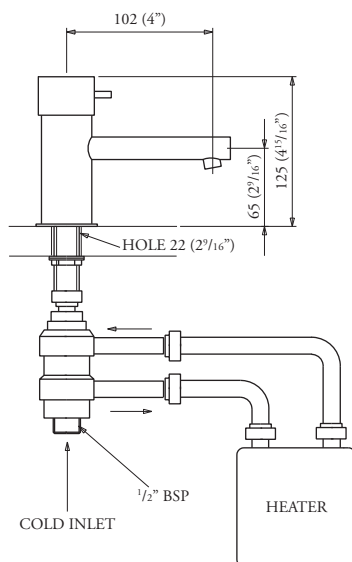
Q2-6451G 115mm nozzle

3 Hole basin mixer without
 pop-up-waste.

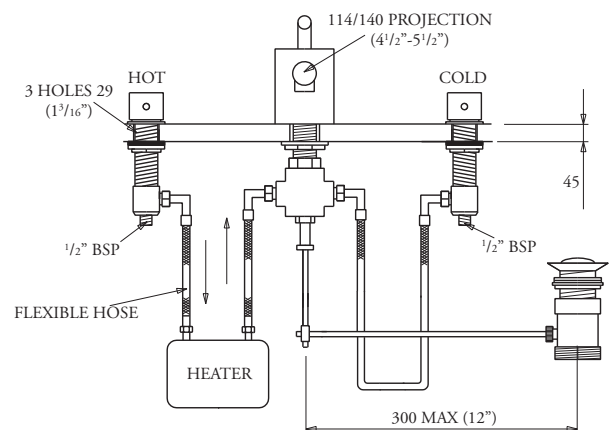
Q2-6456G 140mm nozzle

3 Hole basin mixer without
 pop-up-waste.

Finish **Set** (Ex VAT)
 Chrome/Nickel £375.00



Q 2124G



Q6450/5G



6450G GA shown
Also available R RCD GCD
 3-hole basin mixer with pop-up waste, 115mm nozzle.

6455G
 As above but with 140mm nozzle.

6453/8G GA shown
Also available R GCD RCD
 1/2" pillar sink mixer with swivel nozzle.
 NB. Mixers have single flow nozzles fitted with an aerator. Single check valves are incorporated in the hot and cold inlets to comply with water byelaw 25.IRN 101 (see page 7 for dimension drawing).

Finish	Each (Ex VAT)
Chrome/Nickel	£398.00
Inca	£434.00

MC6450G
 3-hole basin mixer with pop-up waste 112mm nozzle.

MC6455G
 As above but with 140mm nozzle.

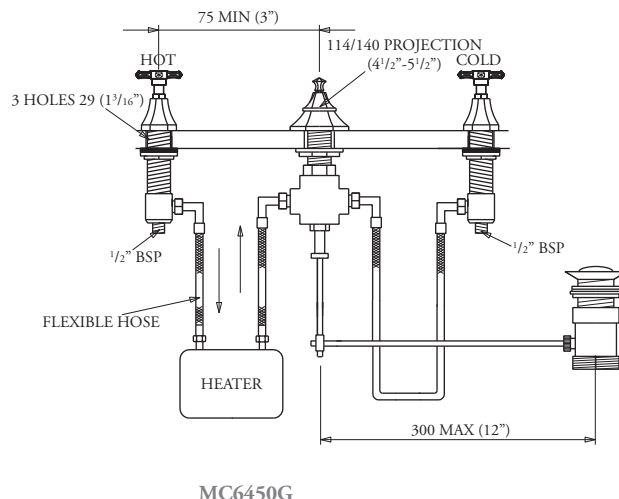
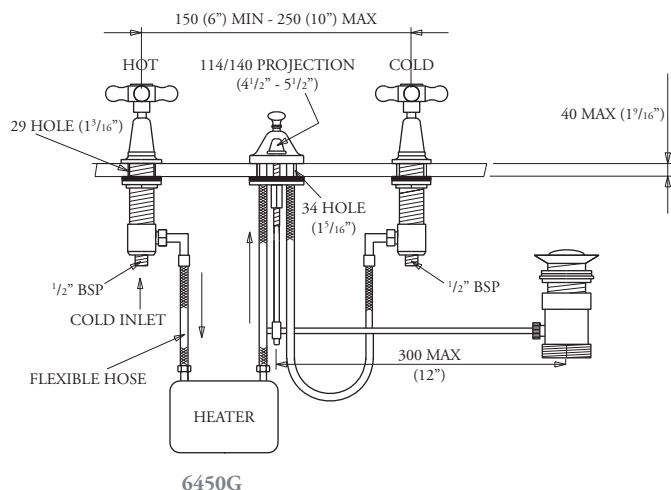
Finish	Each (Ex VAT)
Chrome/Nickel	£450.00
Inca	£494.00

MC6454G
 Wall mounted basin mixer.

Finish	Each (Ex VAT)
Chrome/Nickel	£400.00
Inca	£438.00



6



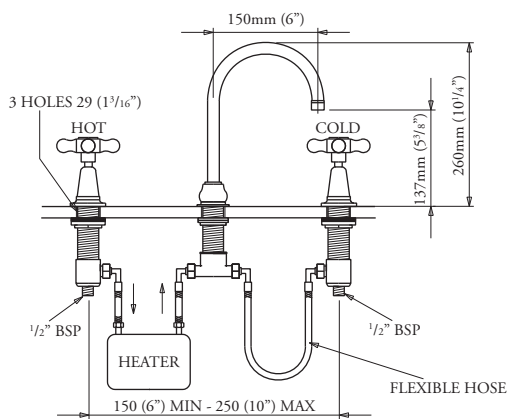
HFC 103G - 3" Lever
 HEC 103G - 6" Lever
 Basin Pillar Taps 1/2" Inlet

Finish Pair (Ex VAT)
 Chrome/Nickel £234.00

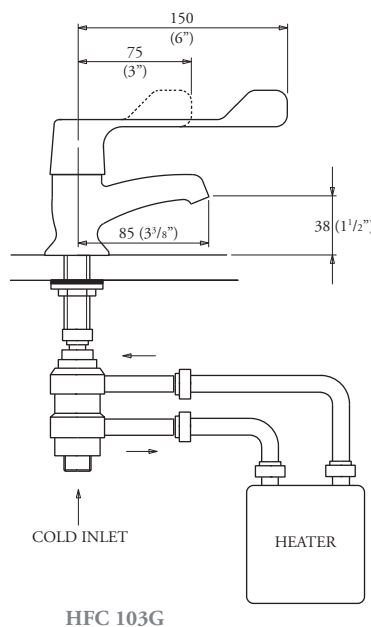


HFC 106G - 3" Lever
 HEC 106G - 6" Lever
 Sink Pillar Taps 1/2" Inlet

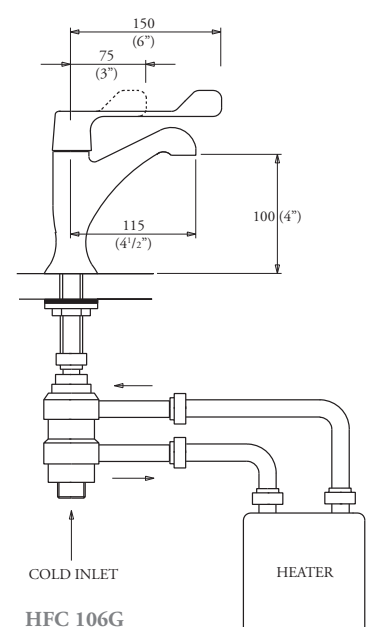
Finish Pair (Ex VAT)
 Chrome/Nickel £241.00



6453G (previous page)



HFC 103G



HFC 106G

Barber Wilsons & Co Ltd
Crawley Road Westbury Avenue
Wood Green London N22 6AH

Tel +44 (0)208 888 3461
Fax +44 (0)208 888 2041
Email sales@barwil.co.uk

www.barwil.co.uk

