

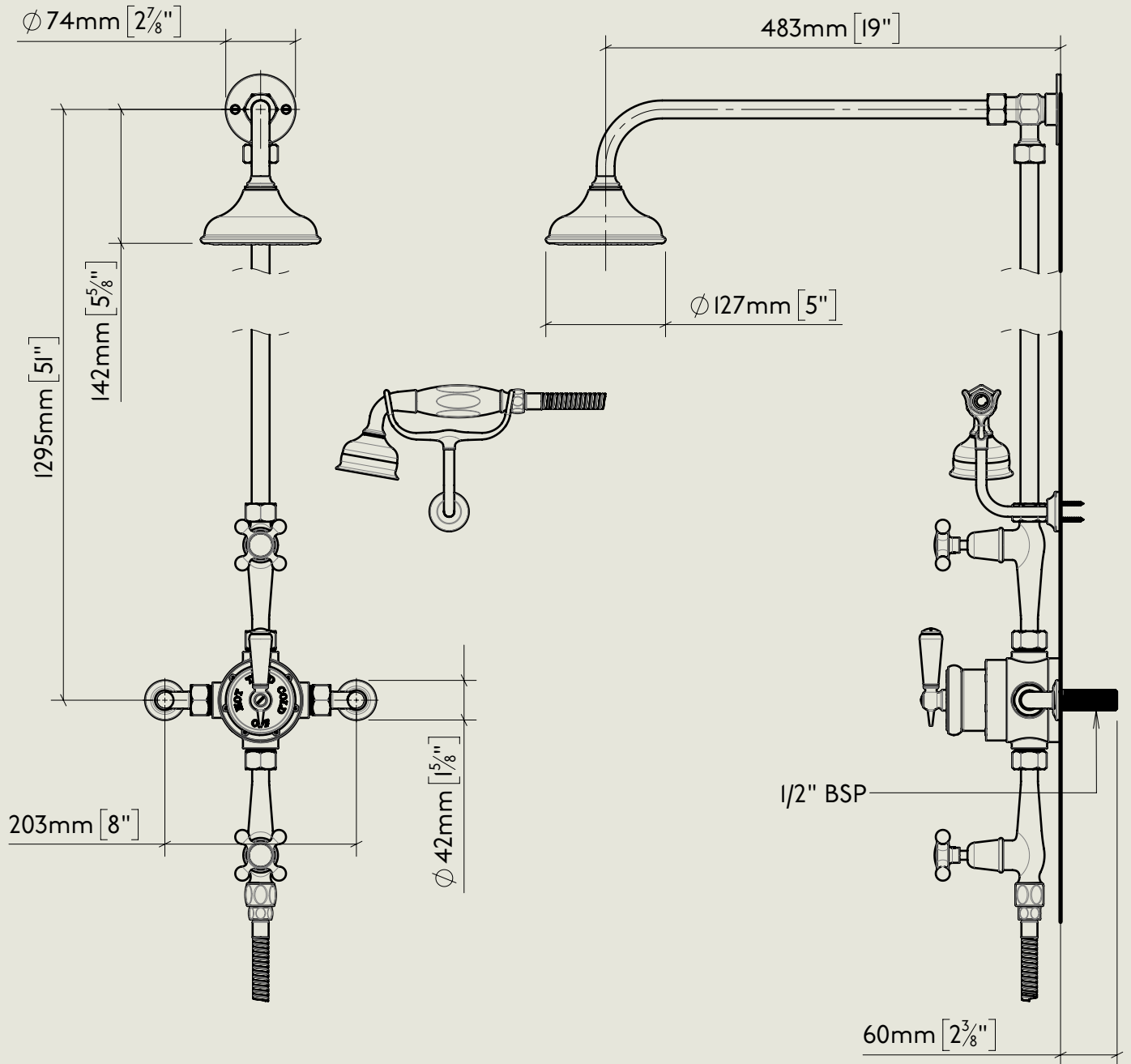


BY APPOINTMENT TO
HER MAJESTY QUEEN ELIZABETH II
MANUFACTURE OF KITCHEN & BATHROOM TAPS & MIXERS
BARBER WILSONS & CO. LTD
LONDON

LONDON

BARBER WILSONS & CO

EST. 1905



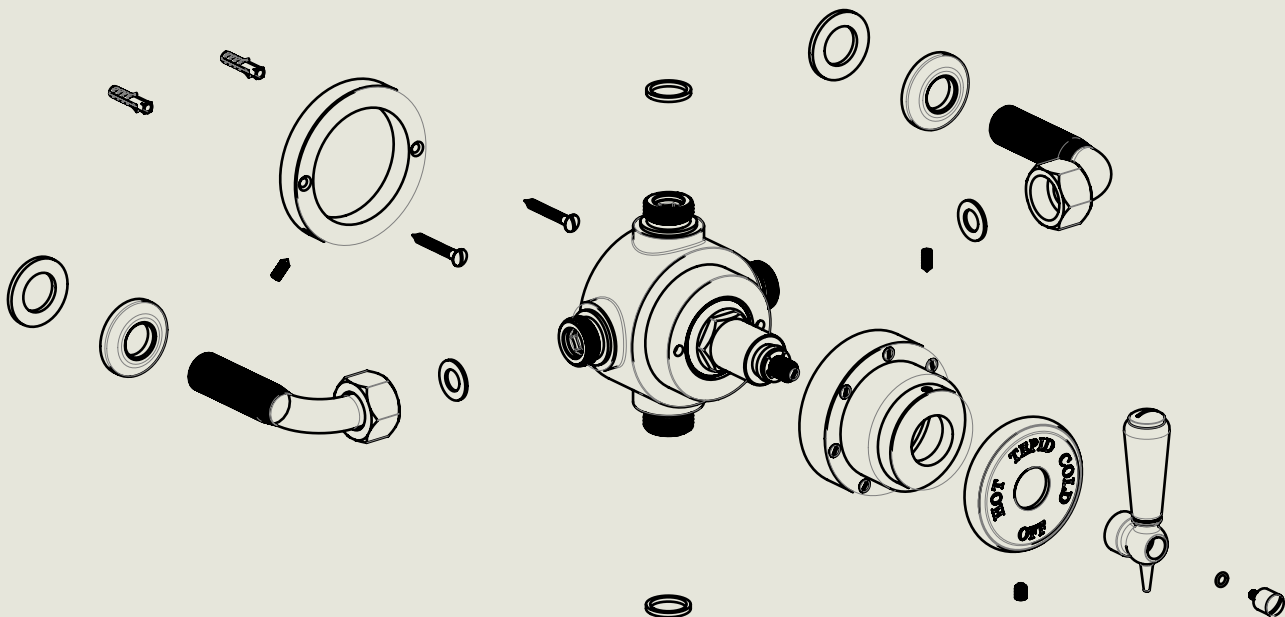
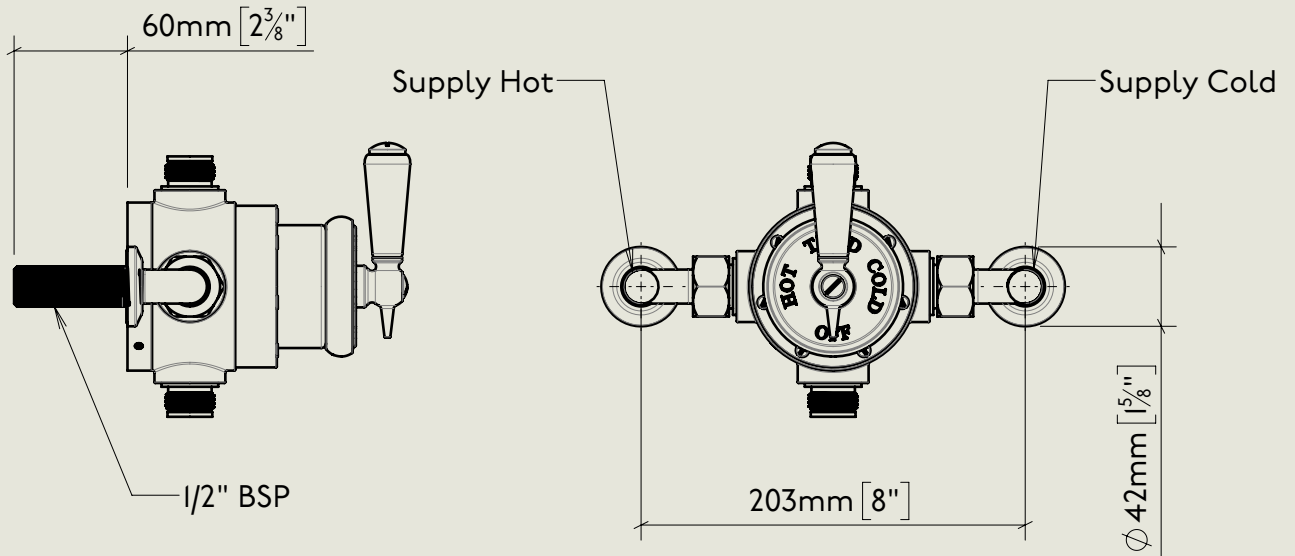
American adapters fitted as standard when purchased via BW&Co USA

| | | |
|---------------------------------|---|-----------------|
| <p>Model No. R5702-1900</p> | <p>Description Regent 5702, 1900's Style Exposed Thermostatic shower with Separate Valves for Overhead Shower and Hand Spray, 1/2" BSP Tail Inlet</p> | <p>Complete</p> |
|---------------------------------|---|-----------------|



BY APPOINTMENT TO
HER MAJESTY QUEEN ELIZABETH II
MANUFACTURE OF KITCHEN & BATHROOM TAPS & MIXERS
BARBER WILSONS & CO. LTD
LONDON

LONDON **BARBER WILSONS & CO** EST. 1905



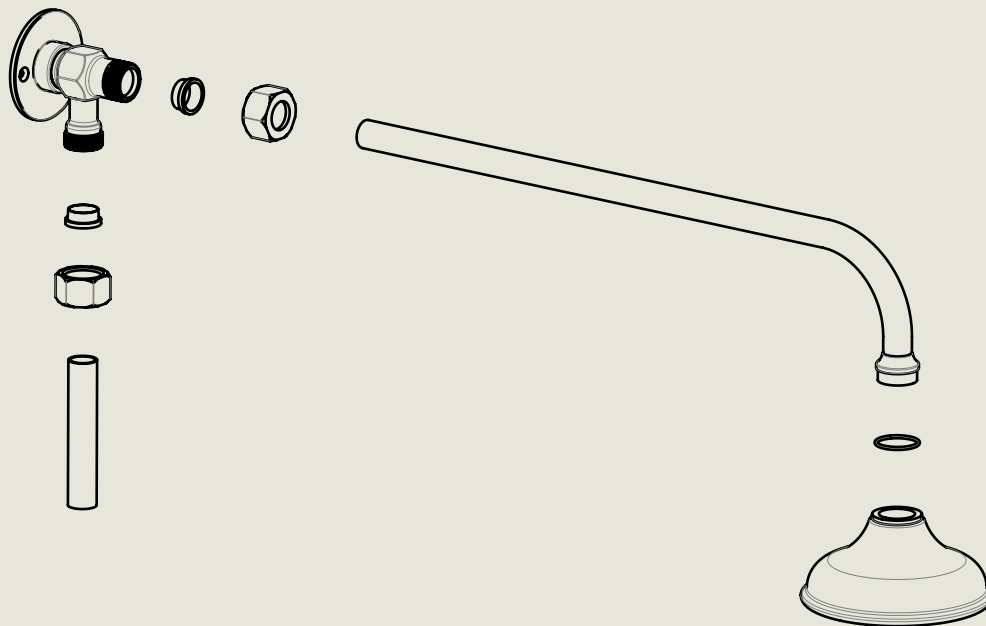
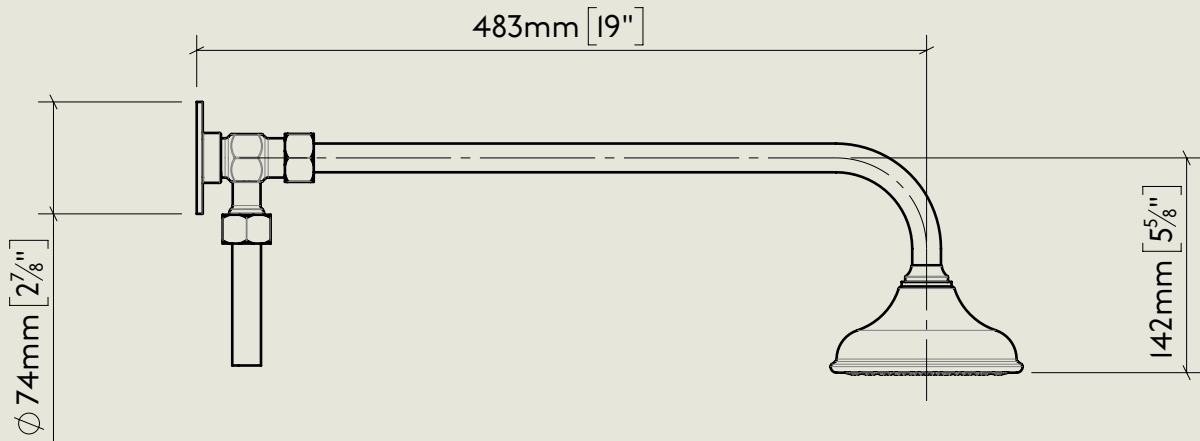
American adapters fitted as standard when purchased via BW&Co USA

| | | |
|-------------------------------|---|-------------------|
| <p>Model No.</p> <p>RPS53</p> | <p>Description</p> <p>Regent PS53 Exposed Regent Thermostatic Shower Valve, 1/2" BSP Tail Inlet</p> | <p>Thermostat</p> |
|-------------------------------|---|-------------------|



BY APPOINTMENT TO
HER MAJESTY QUEEN ELIZABETH II
MANUFACTURE OF KITCHEN & BATHROOM TAPS & MIXERS
BARBER WILSONS & CO. LTD
LONDON

LONDON BARBER WILSONS & CO EST. 1905



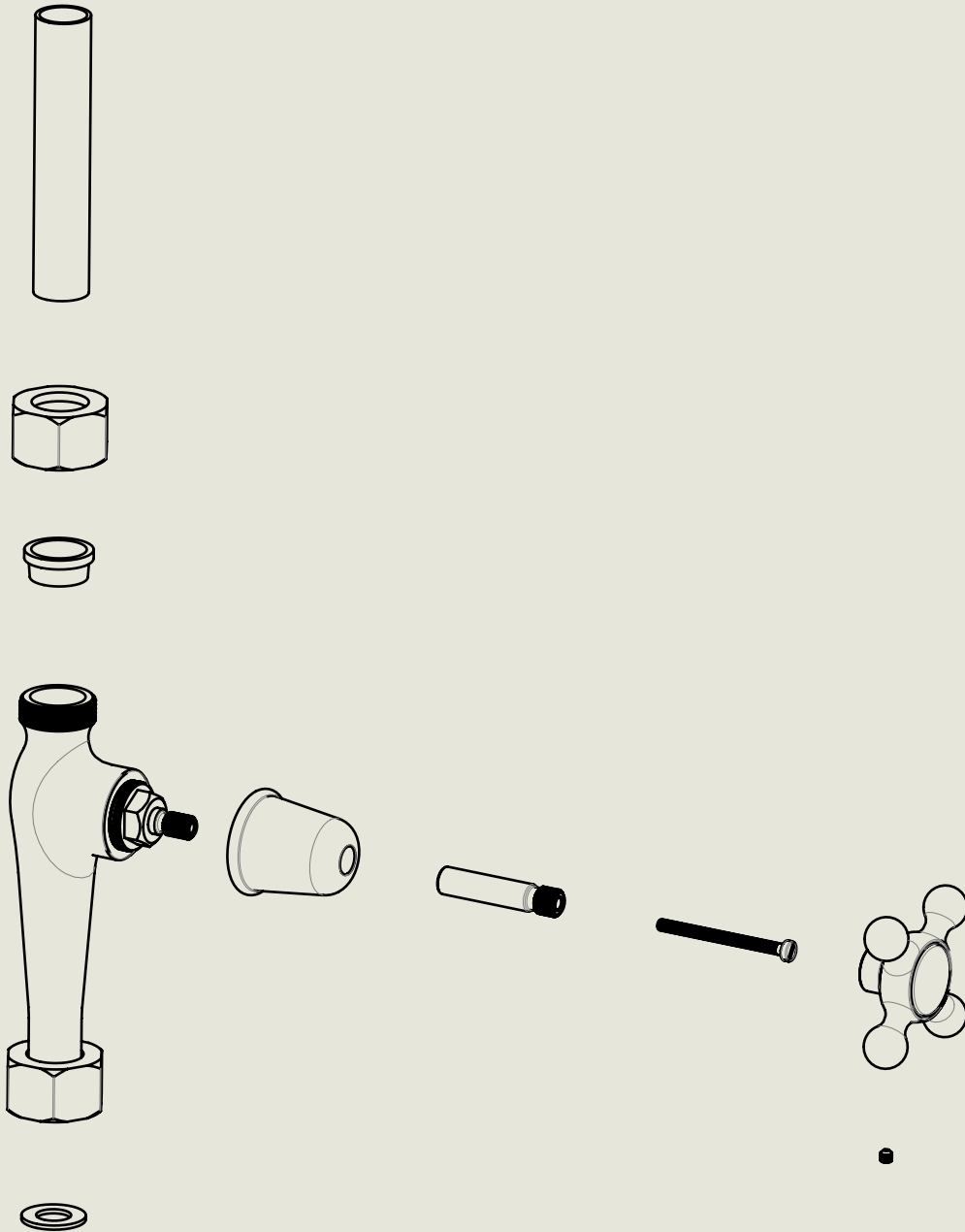
American adapters fitted as standard when purchased via BW&Co USA

| Model No. | Description | |
|--------------------|--|----------|
| PS40A-PS29S / PS10 | Exposed Back Plate and Seventeen and a Half Inch Shower Arm with Fixed Drench Head Rose 5" | Headwork |



BY APPOINTMENT TO
HER MAJESTY QUEEN ELIZABETH II
MANUFACTURE OF KITCHEN & BATHROOM TAPS & MIXERS
BARBER WILSONS & CO. LTD
LONDON

LONDON BARBER WILSONS & CO EST. 1905



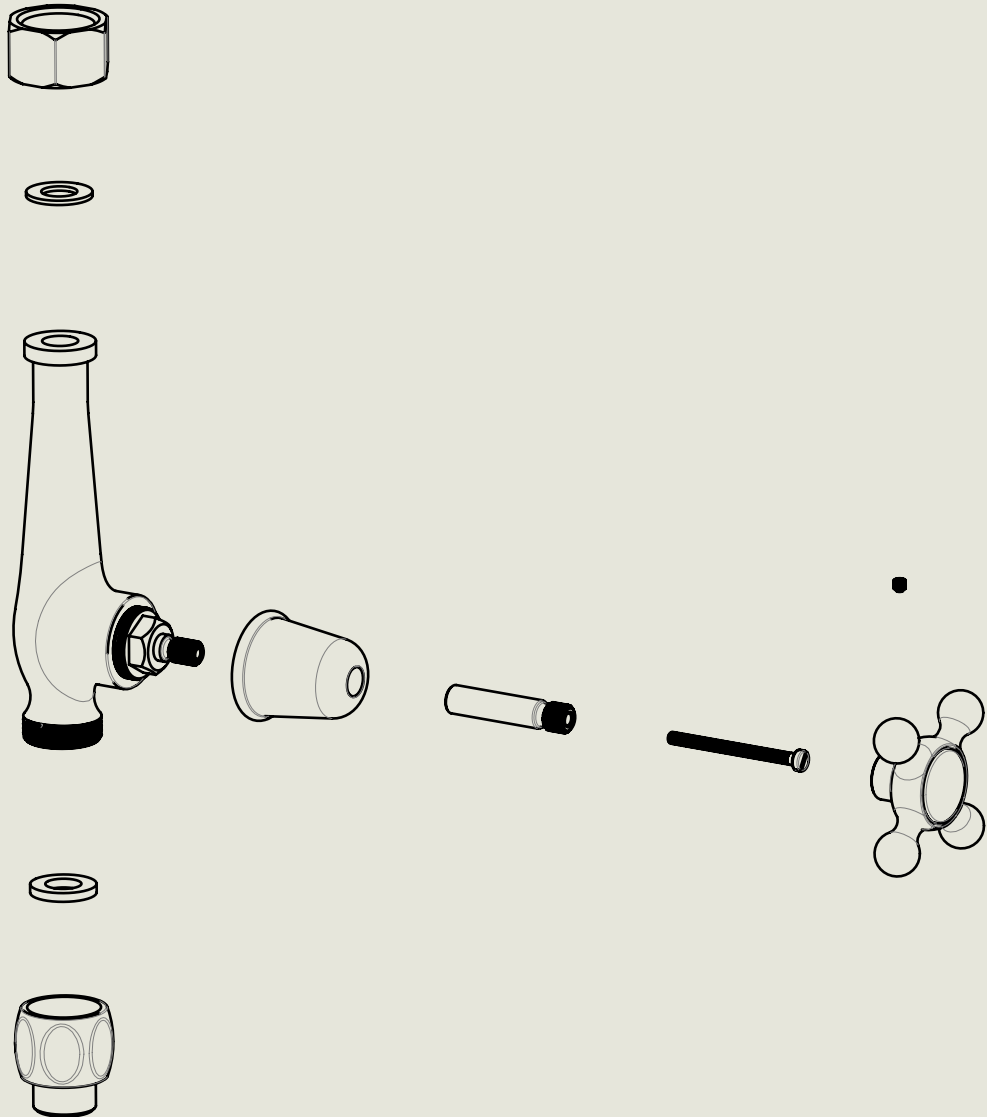
American adapters fitted as standard when purchased via BW&Co USA

| Model No. | Description | |
|-----------|-----------------------------------|---------------|
| - | Exposed Shower Control Valve 1900 | Control Valve |



BY APPOINTMENT TO
HER MAJESTY QUEEN ELIZABETH II
MANUFACTURE OF KITCHEN & BATHROOM TAPS & MIXERS
BARBER WILSONS & CO. LTD
LONDON

LONDON BARBER WILSONS & CO EST. 1905



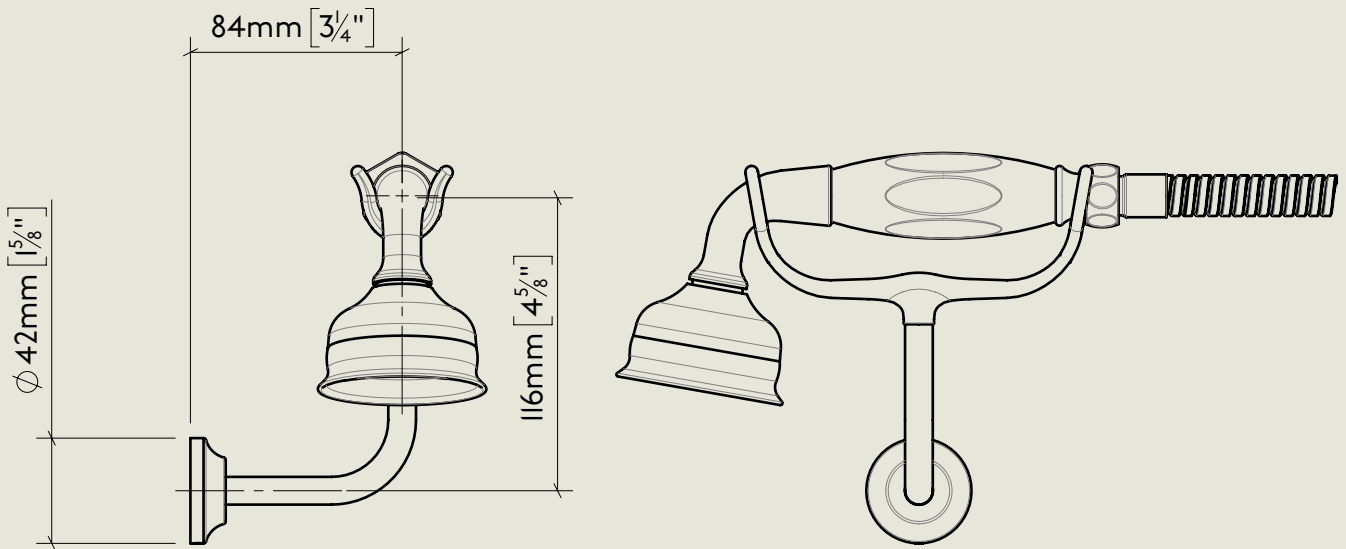
American adapters fitted as standard when purchased via BW&Co USA

| Model No. | Description | |
|-----------|-----------------------------------|--------------------|
| - | Exposed Shower Control Valve 1900 | Control Valve Hose |



BY APPOINTMENT TO
HER MAJESTY QUEEN ELIZABETH II
MANUFACTURE OF KITCHEN & BATHROOM TAPS & MIXERS
BARBER WILSONS & CO. LTD
LONDON

LONDON BARBER WILSONS & CO EST. 1905



American adapters fitted as standard when purchased via BW&Co USA

| Model No. | Description | |
|-----------|-------------------------|------------|
| - | Handspray Set on Cradle | Hand Spray |