

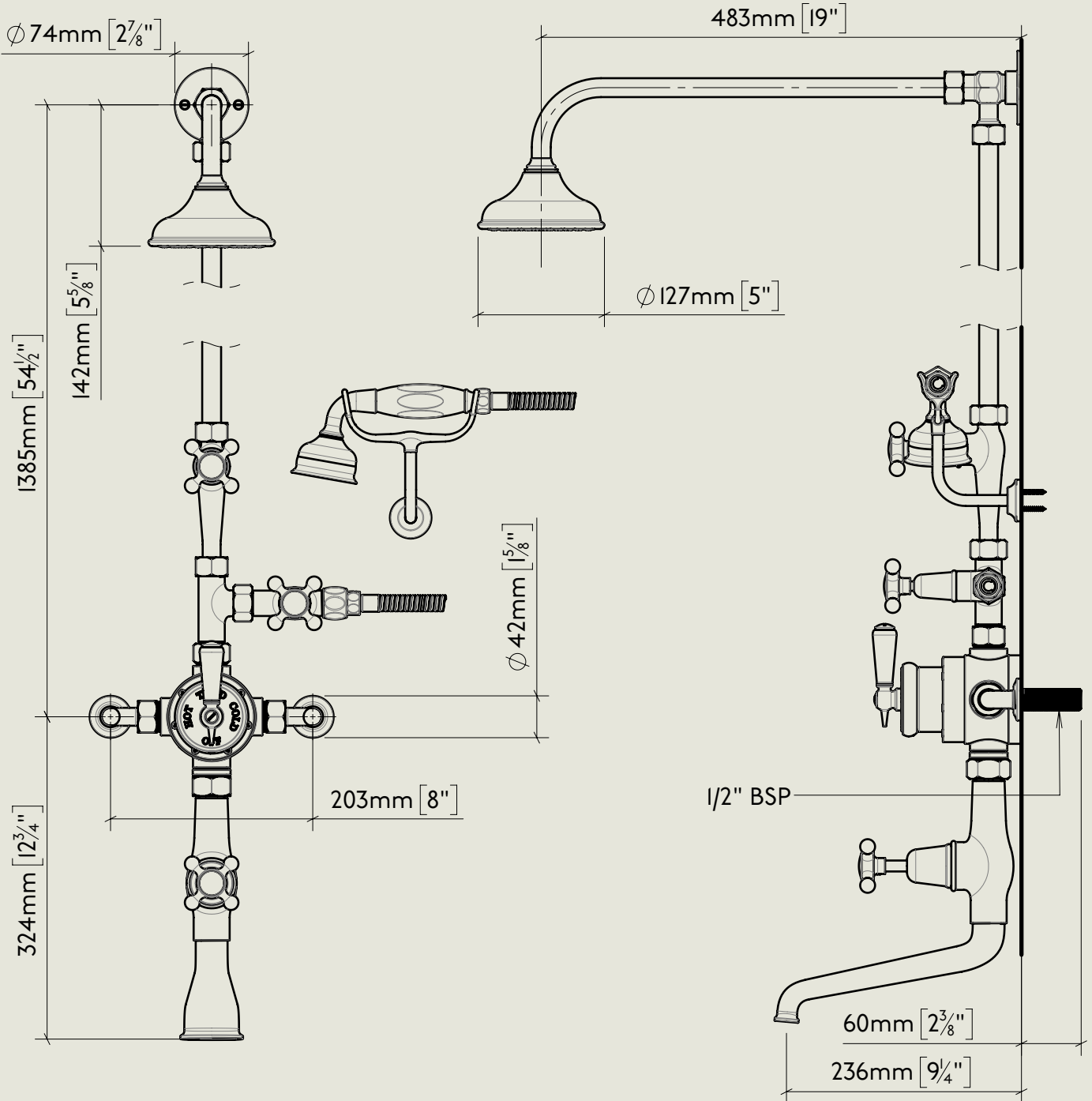


BY APPOINTMENT TO  
HER MAJESTY QUEEN ELIZABETH II  
MANUFACTURE OF KITCHEN & BATHROOM TAPS & MIXERS  
BARBER WILSONS & CO. LTD  
LONDON

LONDON

BARBER WILSONS & CO

EST. 1905



American adapters fitted as standard when purchased via BW&Co USA

Model No.

R5702BA-1900

Description

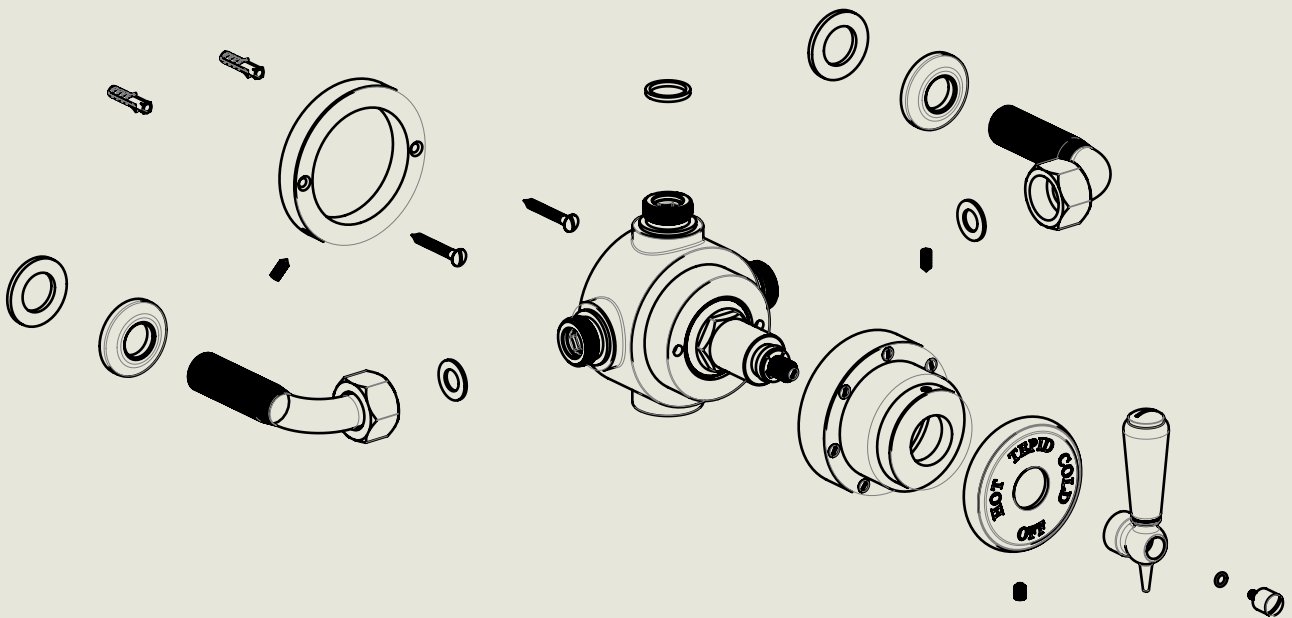
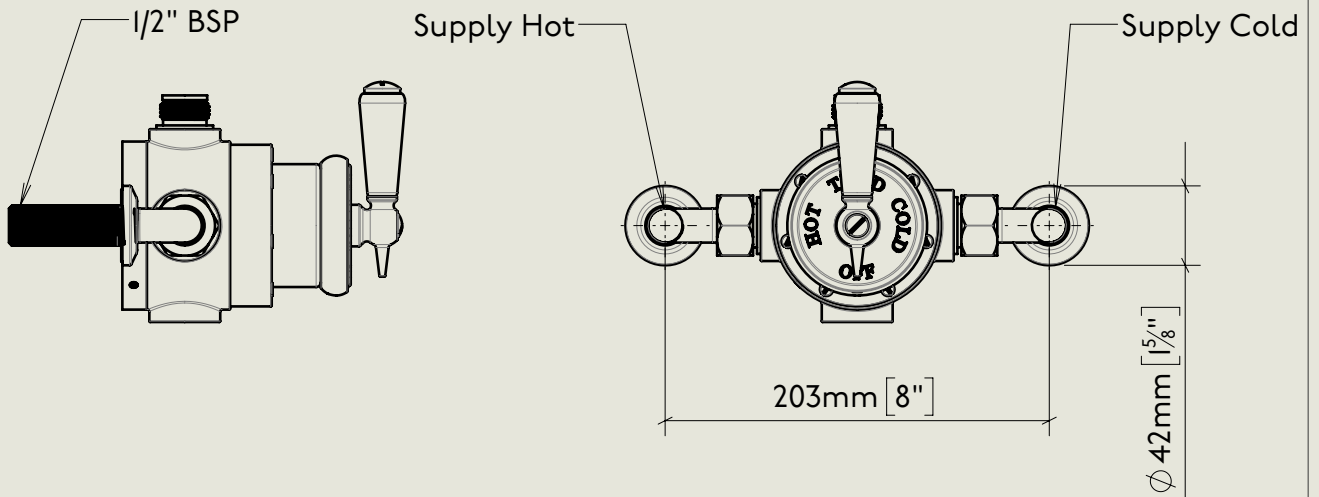
Regent 5702BA, 1900's Style  
Exposed Thermostatic Shower Triple Control  
Valves for Fixed Overhead Shower, Hand Spray  
and Bath Filler,  $1/2\text{''}$  BSP Tail Inlet

Complete



BY APPOINTMENT TO  
HER MAJESTY QUEEN ELIZABETH II  
MANUFACTURE OF KITCHEN & BATHROOM TAPS & MIXERS  
BARBER WILSONS & CO. LTD  
LONDON

LONDON **BARBER WILSONS & CO** EST. 1905



American adapters fitted as standard when purchased via BW&Co USA

<p>Model No.</p> <p>RPS53</p>	<p>Description</p> <p>Regent PS53 Exposed Regent Thermostatic Shower Valve, 1/2" BSP Tail Inlet</p>	<p>Thermostat</p>
-------------------------------	---	-------------------

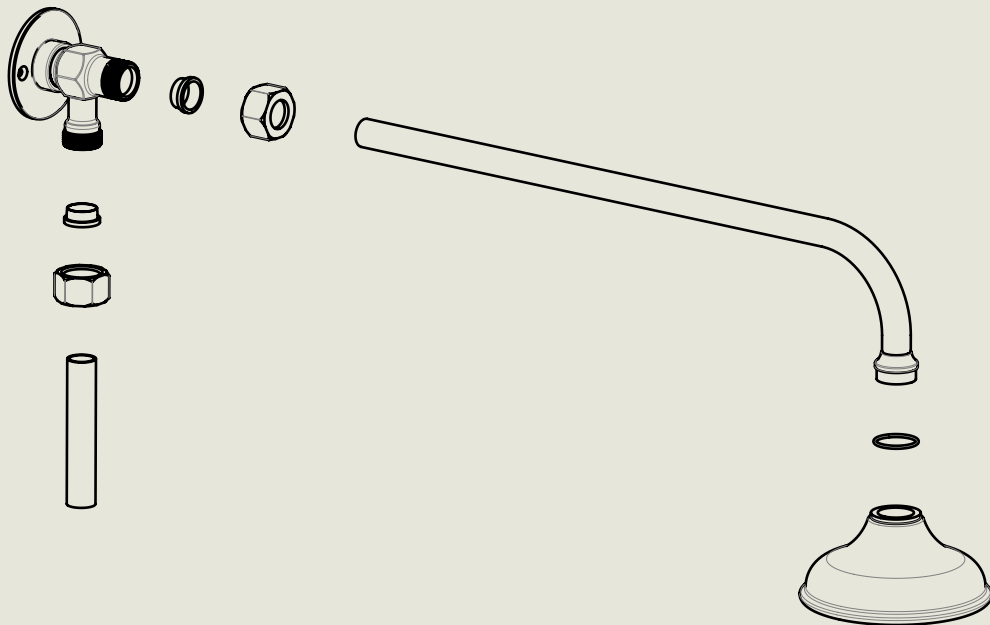
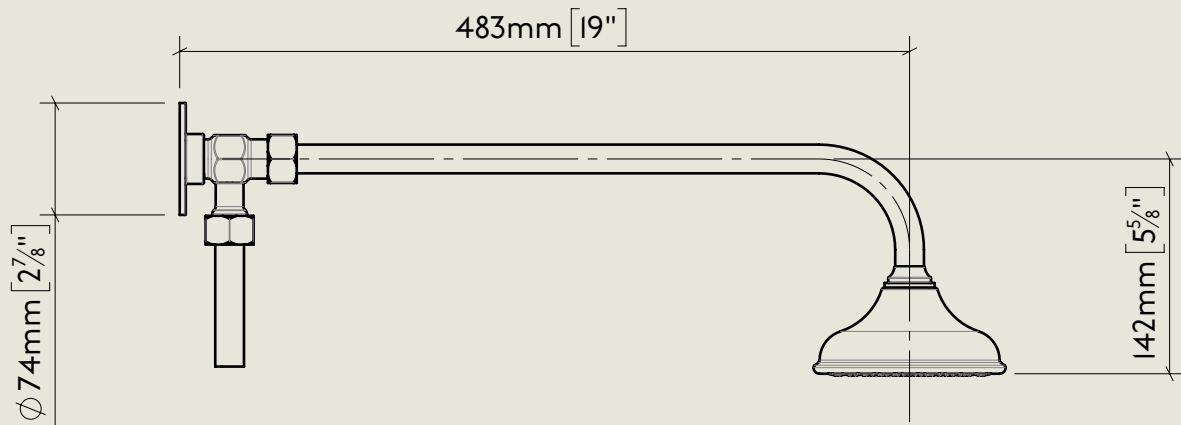


BY APPOINTMENT TO  
HER MAJESTY QUEEN ELIZABETH II  
MANUFACTURE OF KITCHEN & BATHROOM TAPS & MIXERS  
BARBER WILSONS & CO. LTD  
LONDON

LONDON

BARBER WILSONS & CO

EST. 1905



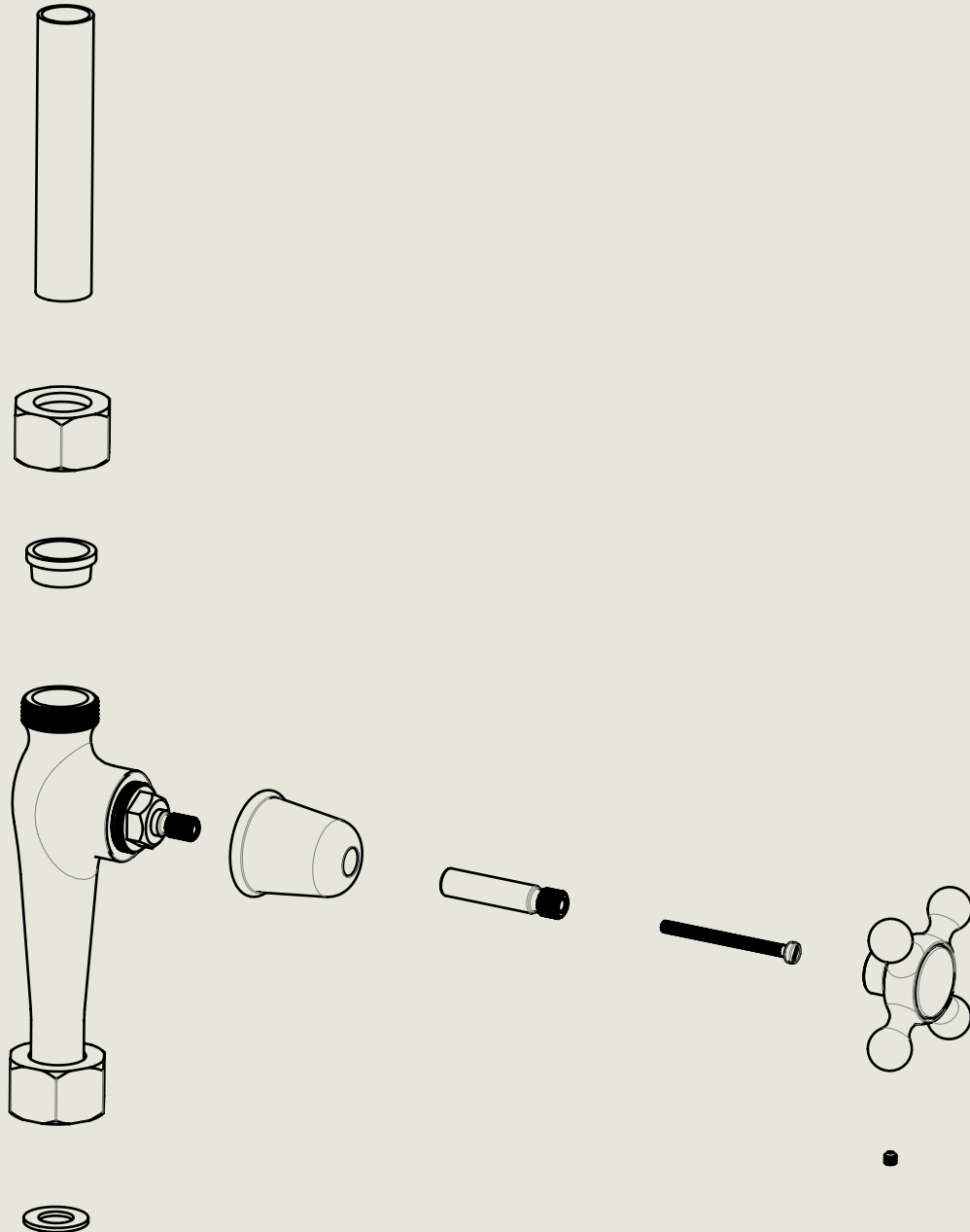
American adapters fitted as standard when purchased via BW&Co USA

Model No.	Description	
PS40A-PS29S / PS10	Exposed Back Plate and Seventeen and a Half Inch Shower Arm with Fixed Drench Head Rose 5"	Headwork



BY APPOINTMENT TO  
HER MAJESTY QUEEN ELIZABETH II  
MANUFACTURE OF KITCHEN & BATHROOM TAPS & MIXERS  
BARBER WILSONS & CO. LTD  
LONDON

LONDON BARBER WILSONS & CO EST. 1905



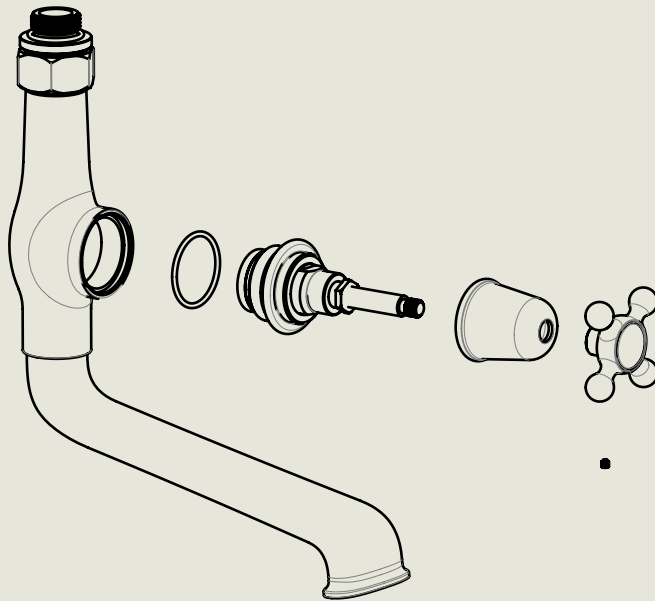
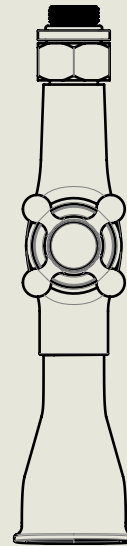
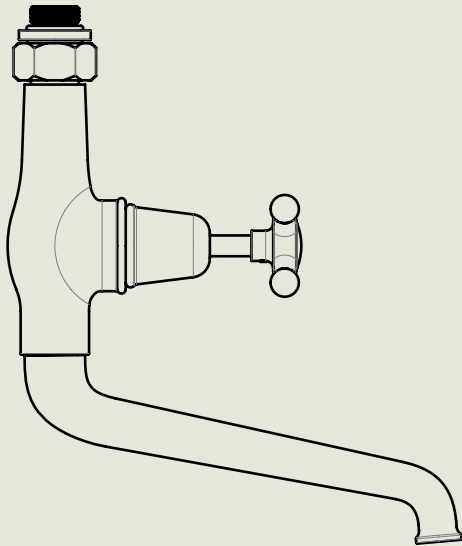
American adapters fitted as standard when purchased via BW&Co USA

Model No.	Description	
-	Exposed Shower Control Valve 1900	Control Valve



BY APPOINTMENT TO  
HER MAJESTY QUEEN ELIZABETH II  
MANUFACTURE OF KITCHEN & BATHROOM TAPS & MIXERS  
BARBER WILSONS & CO. LTD  
LONDON

LONDON BARBER WILSONS & CO EST. 1905



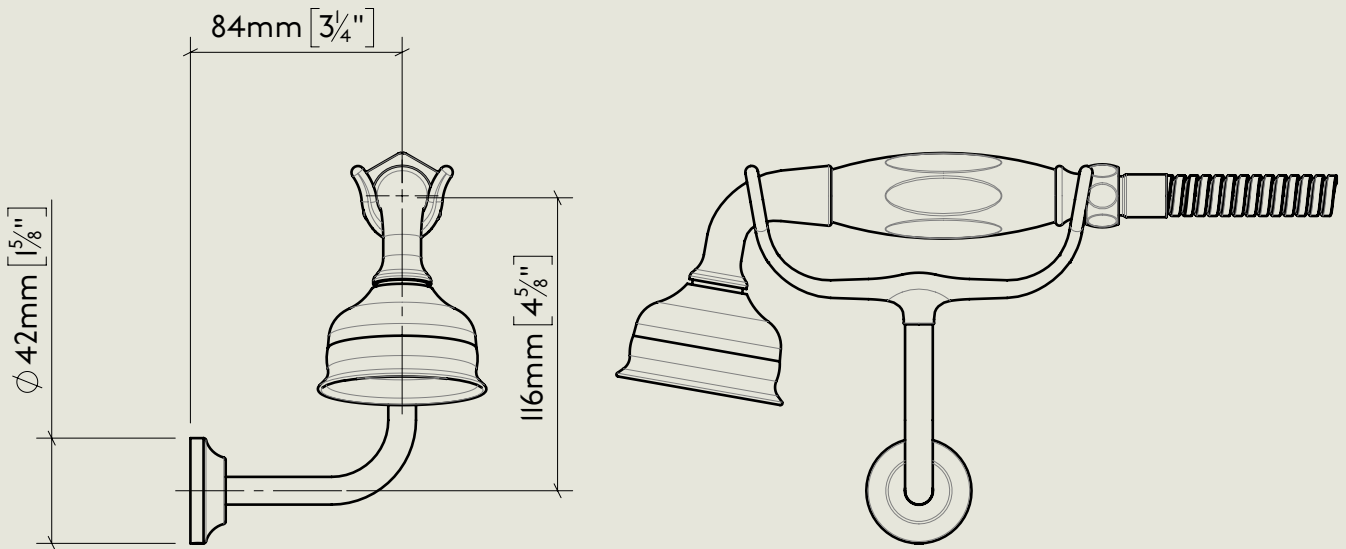
American adapters fitted as standard when purchased via BW&Co USA

Model No.	Description	
-	Bath Filler-1900	Filler Spout



BY APPOINTMENT TO  
HER MAJESTY QUEEN ELIZABETH II  
MANUFACTURE OF KITCHEN & BATHROOM TAPS & MIXERS  
BARBER WILSONS & CO. LTD  
LONDON

LONDON BARBER WILSONS & CO EST. 1905



American adapters fitted as standard when purchased via BW&Co USA

Model No.	Description	
-	Handspray Set on Cradle	Hand Spray