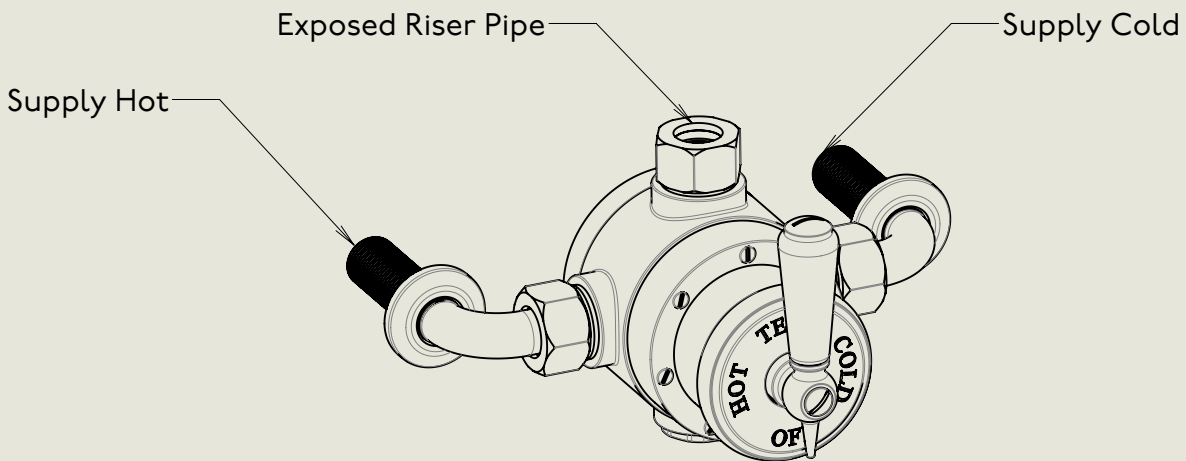
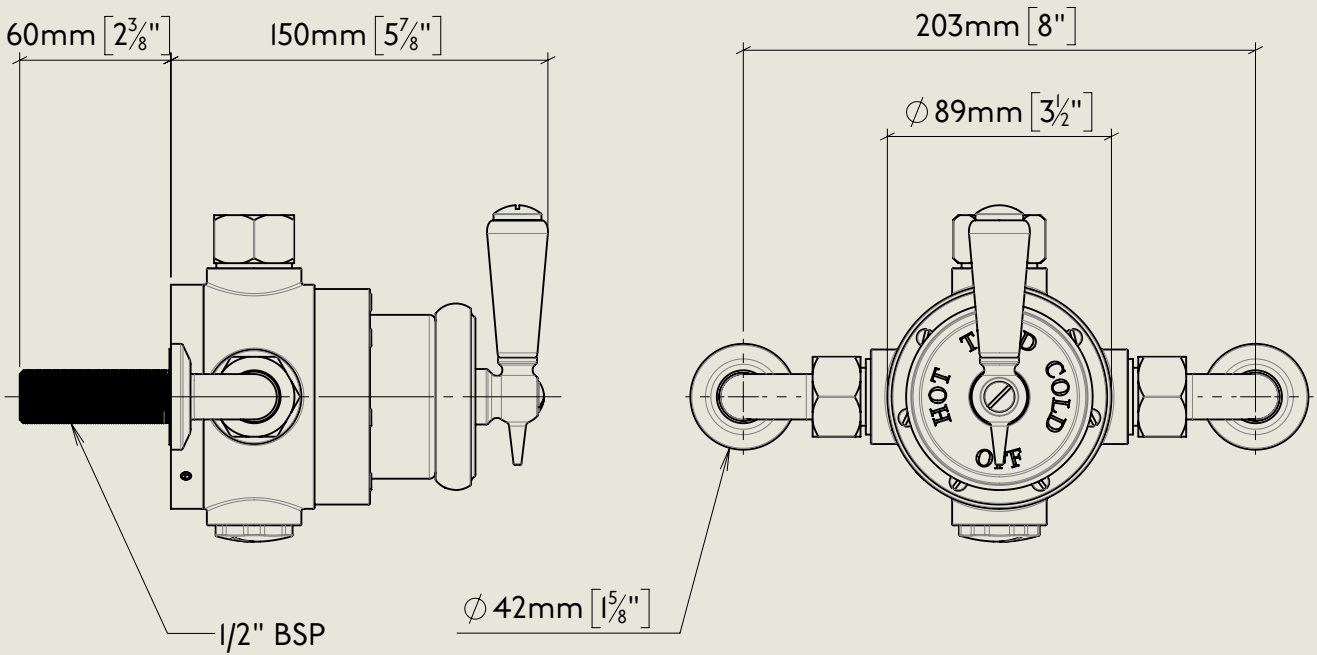




BY APPOINTMENT TO
HER MAJESTY QUEEN ELIZABETH II
MANUFACTURE OF KITCHEN & BATHROOM TAPS & MIXERS
BARBER WILSONS & CO. LTD
LONDON

LONDON **BARBER WILSONS & CO** EST. 1905



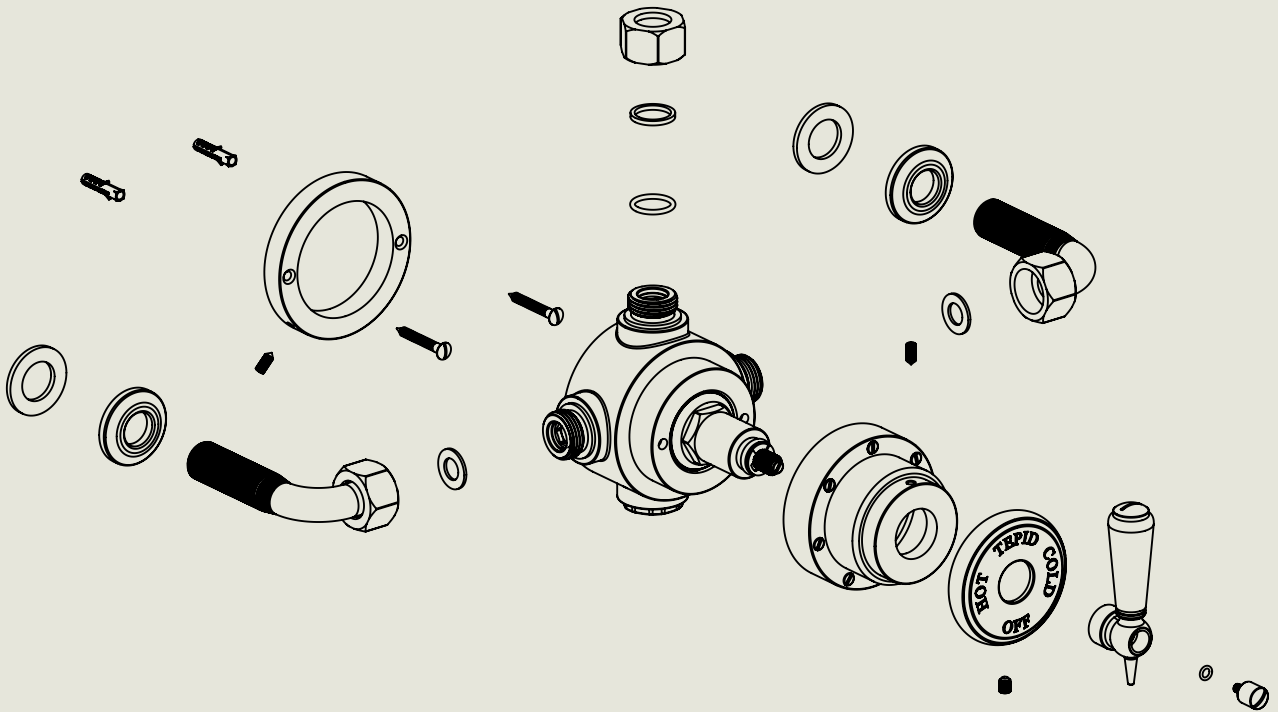
American adapters fitted as standard when purchased via BW&Co USA

<p>Model No.</p> <p>RPS53</p>	<p>Description</p> <p>Regent PS53 Exposed Regent Thermostatic Shower Valve, 1/2" BSP Tail Inlet</p>	<p>Complete</p>
-------------------------------	---	-----------------



BY APPOINTMENT TO
HER MAJESTY QUEEN ELIZABETH II
MANUFACTURE OF KITCHEN & BATHROOM TAPS & MIXERS
BARBER WILSONS & CO. LTD
LONDON

LONDON **BARBER WILSONS & CO** EST. 1905



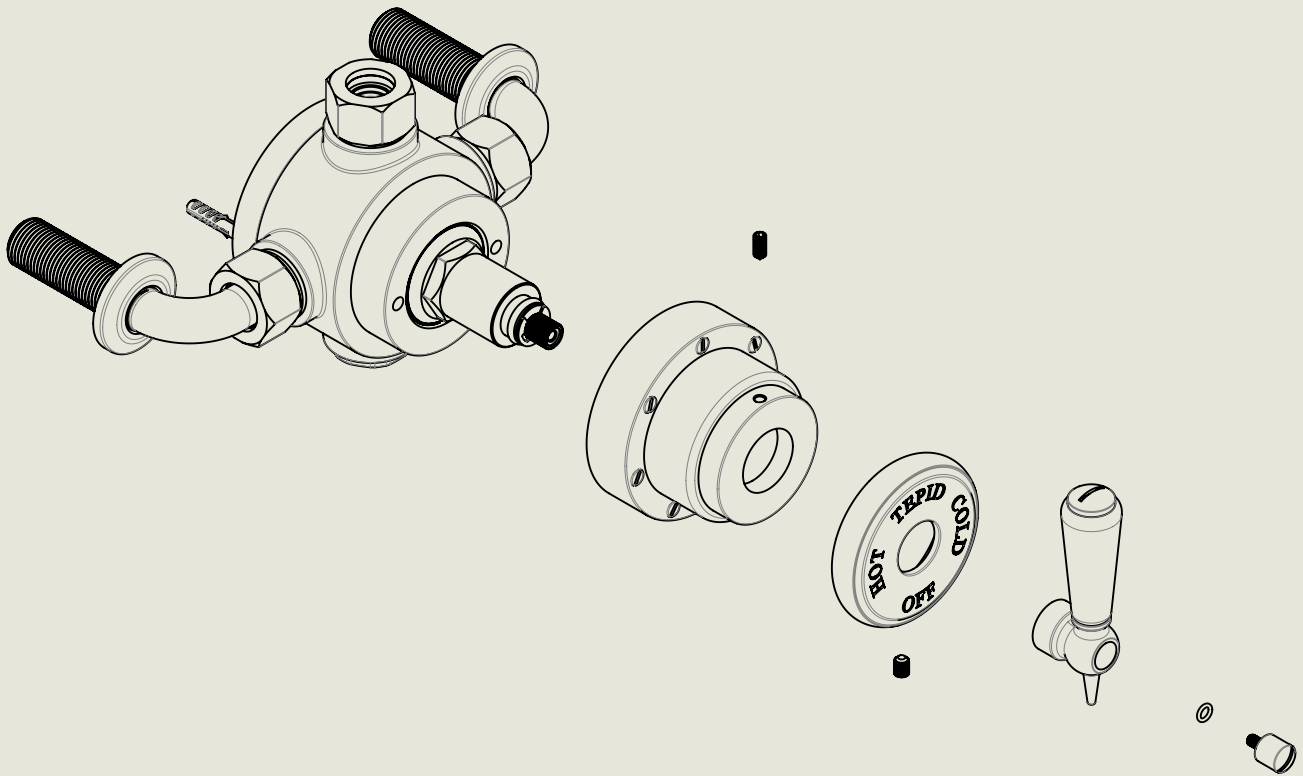
American adapters fitted as standard when purchased via BW&Co USA

<p>Model No. RPS53</p>	<p>Description Regent PS53 Exposed Regent Thermostatic Shower Valve, 1/2" BSP Tail Inlet</p>	<p>Fitting</p>
---------------------------------	---	----------------



BY APPOINTMENT TO
HER MAJESTY QUEEN ELIZABETH II
MANUFACTURE OF KITCHEN & BATHROOM TAPS & MIXERS
BARBER WILSONS & CO. LTD
LONDON

LONDON BARBER WILSONS & CO EST. 1905



American adapters fitted as standard when purchased via BW&Co USA

Model No. RPS53	Description Regent PS53 Exposed Regent Thermostatic Shower Valve, 1/2" BSP Tail Inlet	Second Fix
------------------------	--	------------