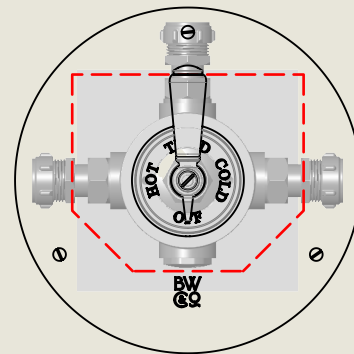
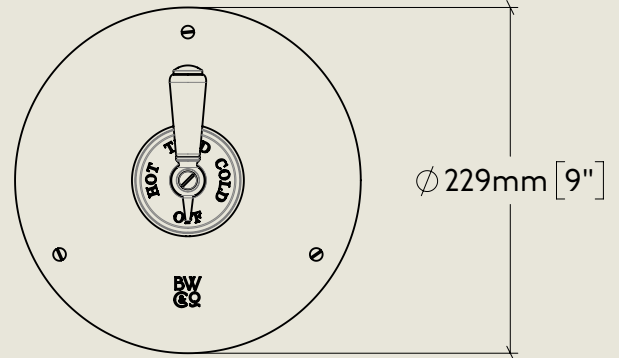
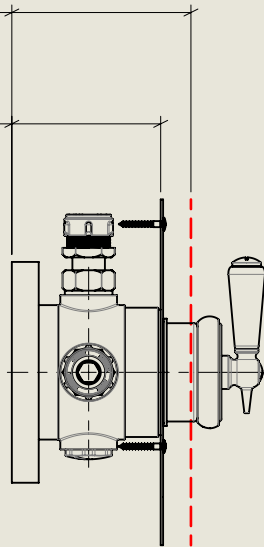




BY APPOINTMENT TO
HER MAJESTY QUEEN ELIZABETH II
MANUFACTURE OF KITCHEN & BATHROOM TAPS & MIXERS
BARBER WILSONS & CO. LTD
LONDON

LONDON **BARBER WILSONS & CO** EST. 1905

118mm [4⁵/₈"]
Maximum
98mm [3⁷/₈"]
Minimum



American adapters fitted as standard when purchased via BW&Co USA

<p>Model No. RPS53C</p>	<p>Description Regent PS53C</p>	<p>Complete</p>
----------------------------------	--	-----------------



BY APPOINTMENT TO
HER MAJESTY QUEEN ELIZABETH II
MANUFACTURE OF KITCHEN & BATHROOM TAPS & MIXERS
BARBER WILSONS & CO. LTD
LONDON

LONDON

BARBER WILSONS & CO

EST. 1905

118mm [4⁵/₈"

Maximum

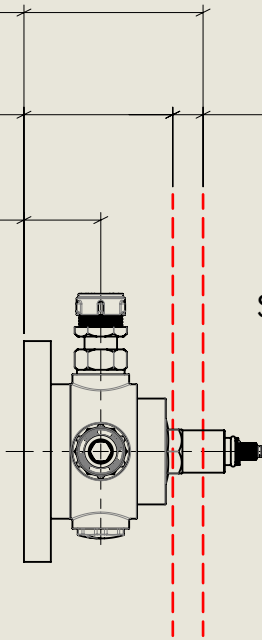
98mm [3⁷/₈"

Minimum

51mm [2"

20mm [3/4"

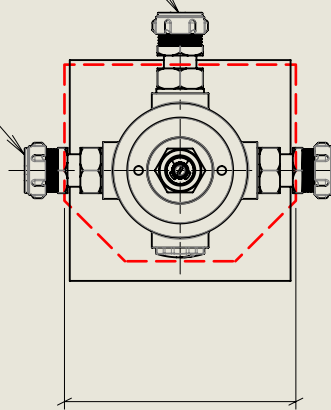
Tolerance



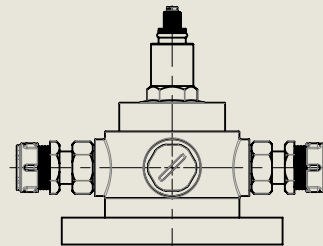
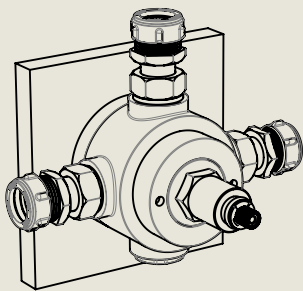
Supply pipe ϕ 22mm
Cold

Outlet pipe ϕ 22mm

Supply pipe ϕ 22mm
Hot



Minimum 6 inches to allow access to
remove valve for service/maintenance



Water pressure testing screw
(First Fix only)

American adapters fitted as standard when purchased via BW&Co USA

Model No.

RPS53C

Description

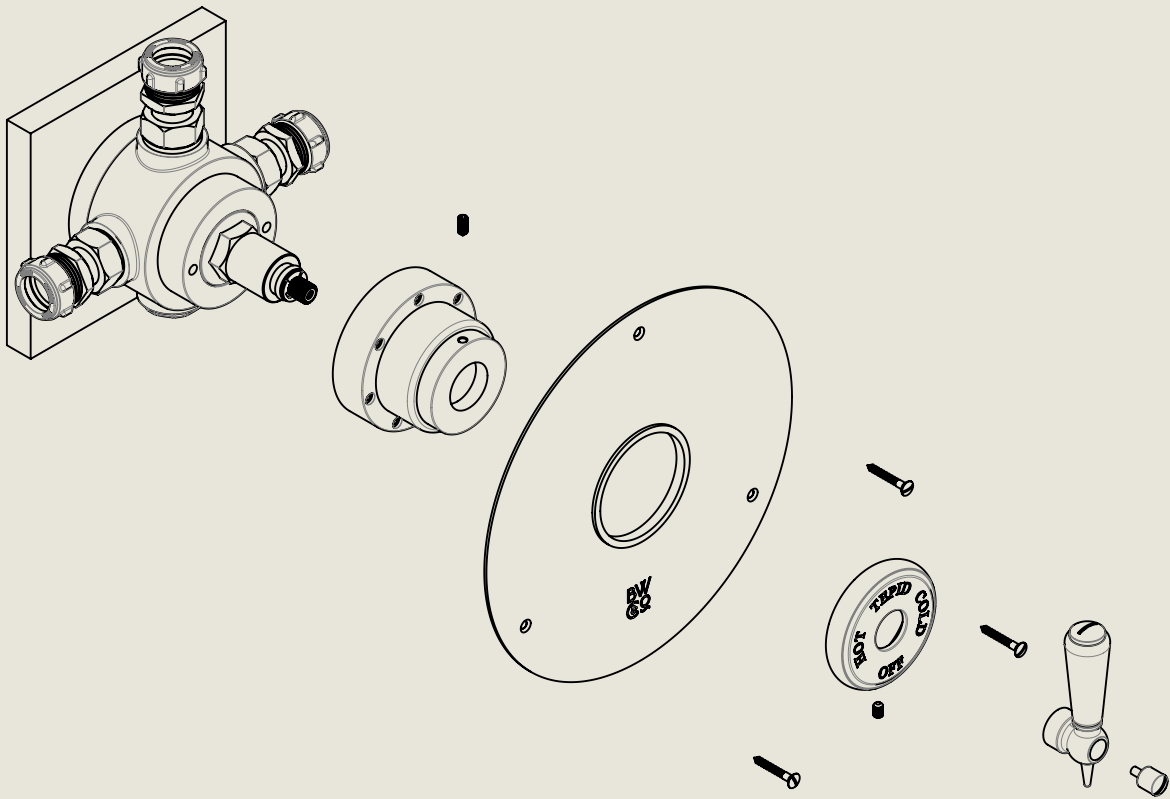
Regent PS53C

First Fix



BY APPOINTMENT TO
HER MAJESTY QUEEN ELIZABETH II
MANUFACTURE OF KITCHEN & BATHROOM TAPS & MIXERS
BARBER WILSONS & CO. LTD
LONDON

LONDON BARBER WILSONS & CO EST. 1905



American adapters fitted as standard when purchased via BW&Co USA

Model No.	Description	
RPS53C	Regent PS53C	Second Fix