

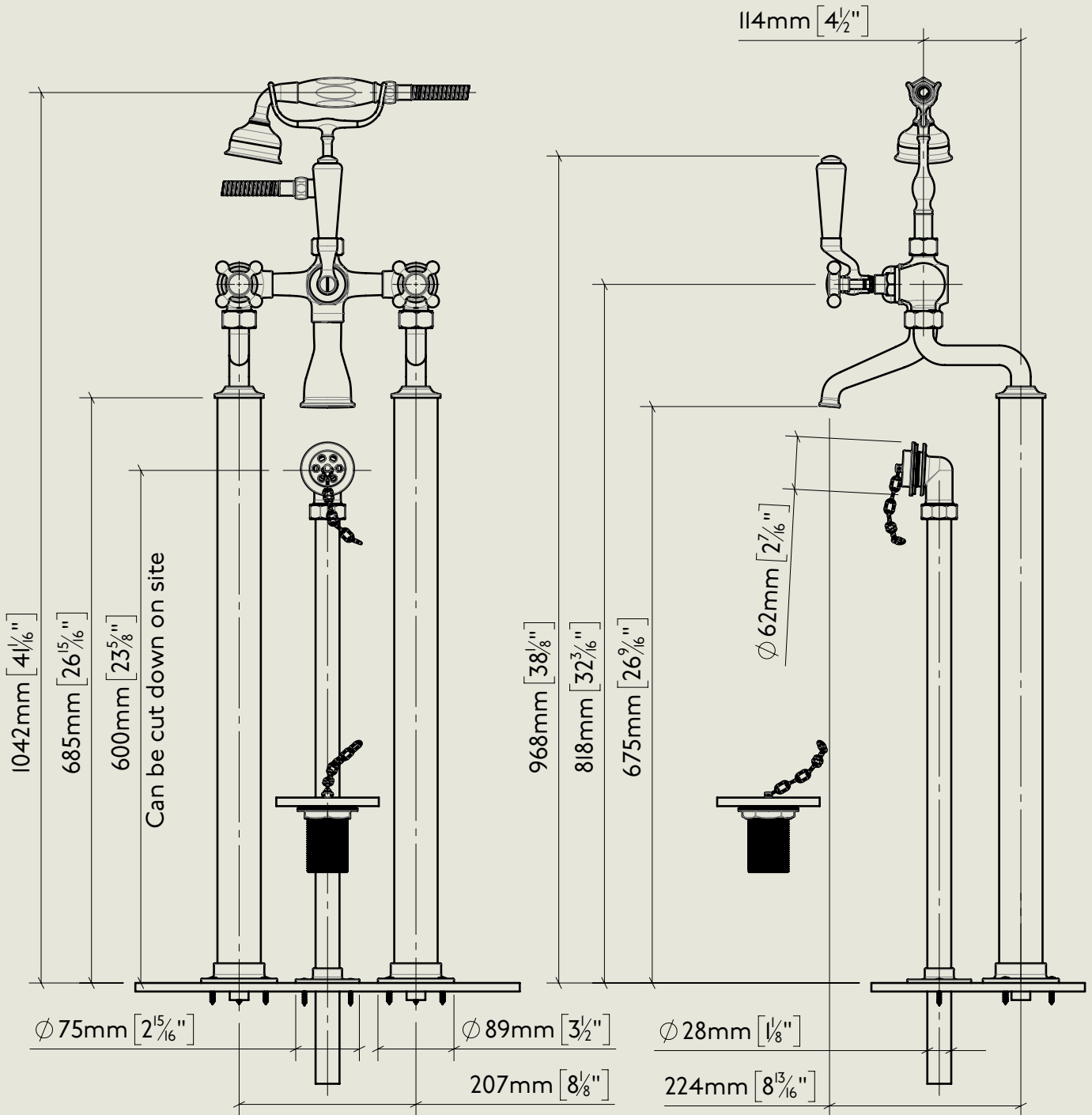


BY APPOINTMENT TO
HER MAJESTY QUEEN ELIZABETH II
MANUFACTURE OF KITCHEN & BATHROOM TAPS & MIXERS
BARBER WILSONS & CO. LTD
LONDON

LONDON

BARBER WILSONS & CO

EST. 1905



American adapters fitted as standard when purchased via BW&Co USA

Model No.

R4310-3400DP-1890

Description

Regent 4310/3400DP, 1890's Style Bath Floor Stand
Extended Unions on 2" Floor Stands Including
Bath Waste with Overflow to Floor.

Complete

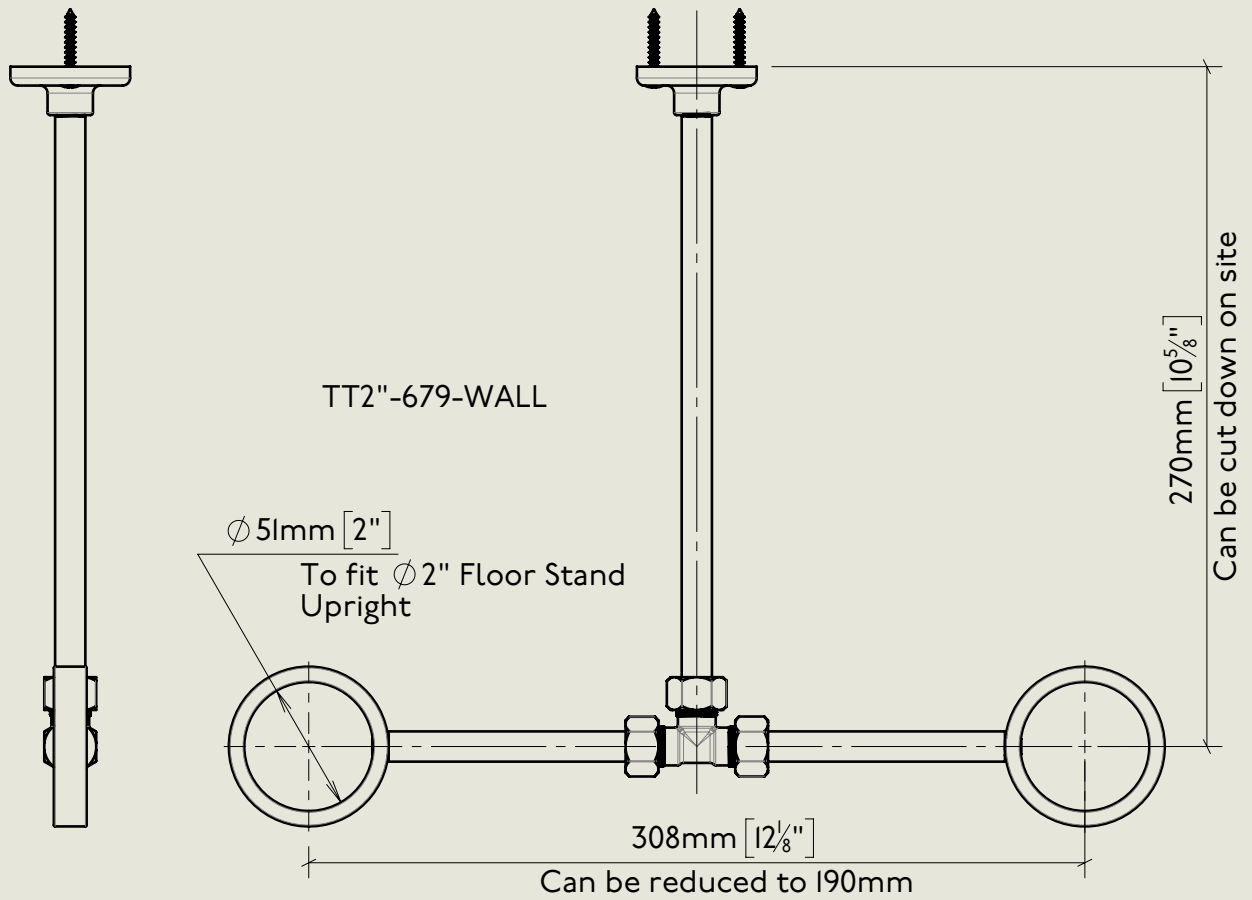
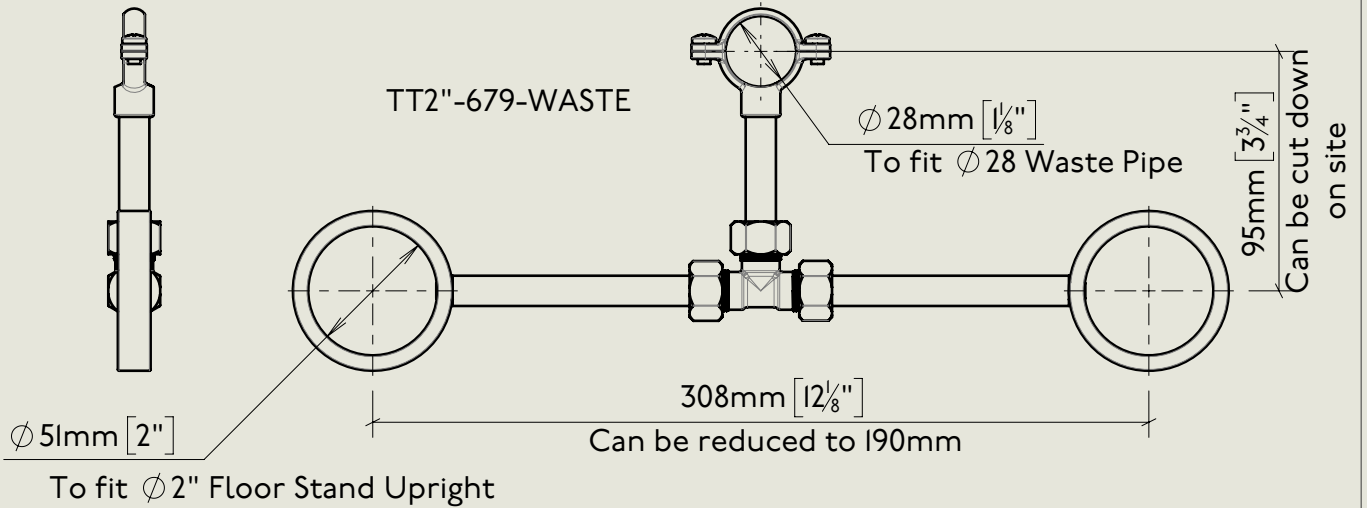


BY APPOINTMENT TO
HER MAJESTY QUEEN ELIZABETH II
MANUFACTURE OF KITCHEN & BATHROOM TAPS & MIXERS
BARBER WILSONS & CO. LTD
LONDON

LONDON

BARBER WILSONS & CO

EST. 1905



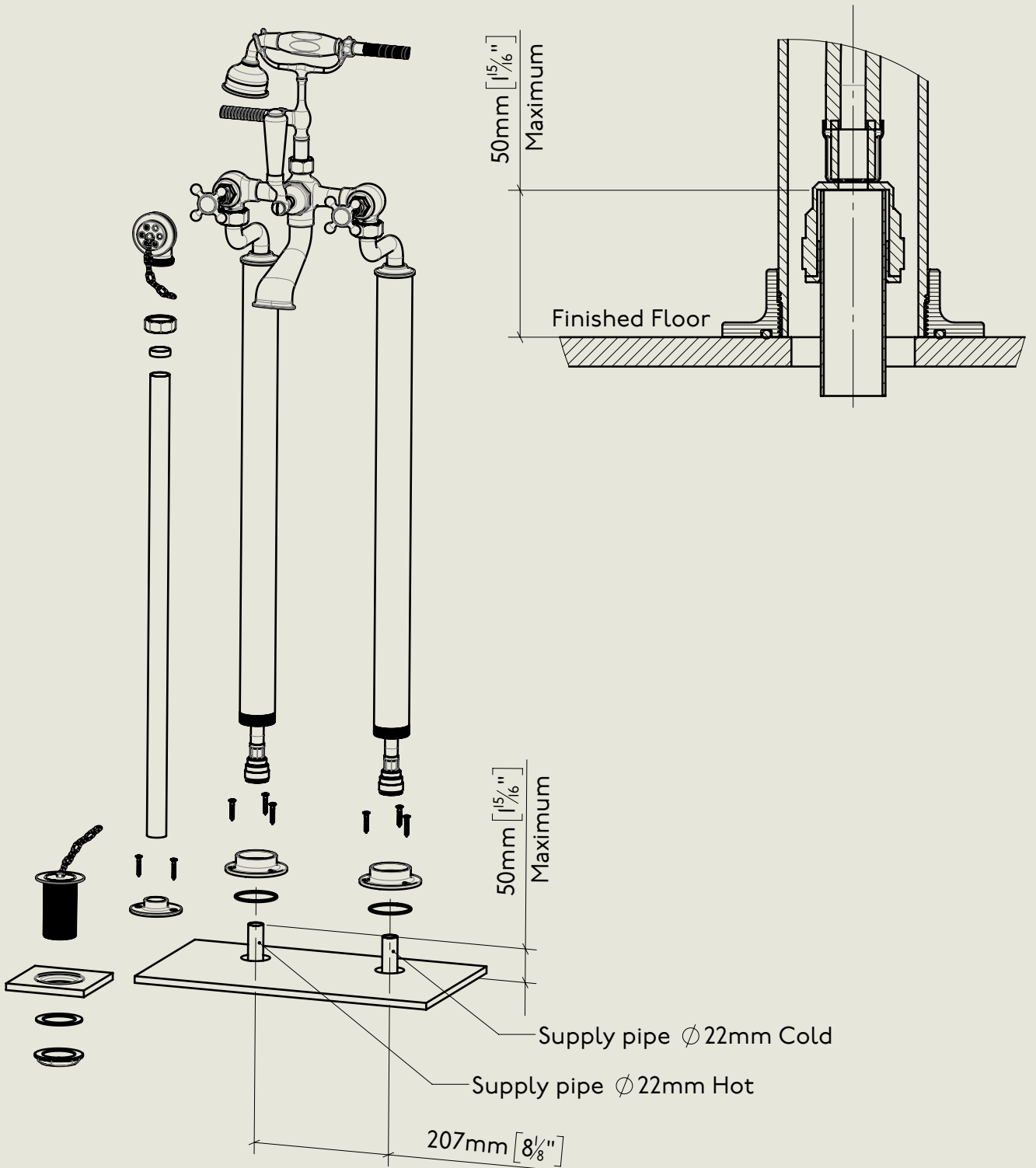
American adapters fitted as standard when purchased via BW&Co USA

Model No.	Description	
TT2"-679	2" Bracing Kit	Bracing Kit



BY APPOINTMENT TO
HER MAJESTY QUEEN ELIZABETH II
MANUFACTURE OF KITCHEN & BATHROOM TAPS & MIXERS
BARBER WILSONS & CO. LTD
LONDON

LONDON BARBER WILSONS & CO EST. 1905



Model No.

R4310-3400DP-1890

Description

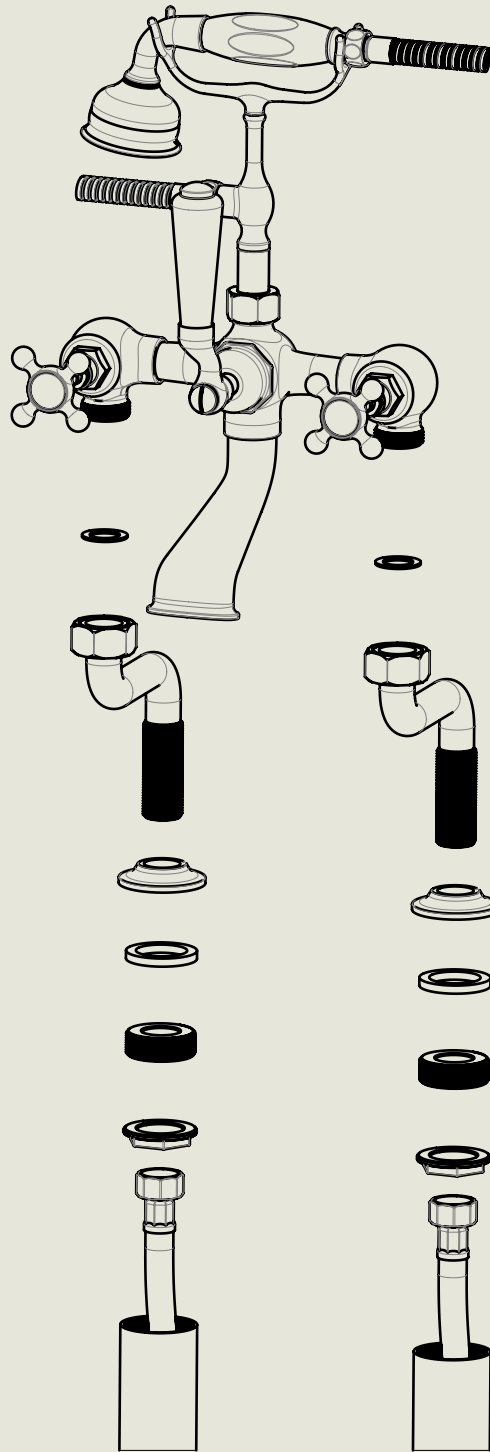
Regent 4310/3400DP, 1890's Style Bath Floor Stand
Extended Unions on 2" Floor Stands Including
Bath Waste with Overflow to Floor.

Floor Fitting



BY APPOINTMENT TO
HER MAJESTY QUEEN ELIZABETH II
MANUFACTURE OF KITCHEN & BATHROOM TAPS & MIXERS
BARBER WILSONS & CO. LTD
LONDON

LONDON BARBER WILSONS & CO EST. 1905



Model No.

R4310-3400DP-1890

Description

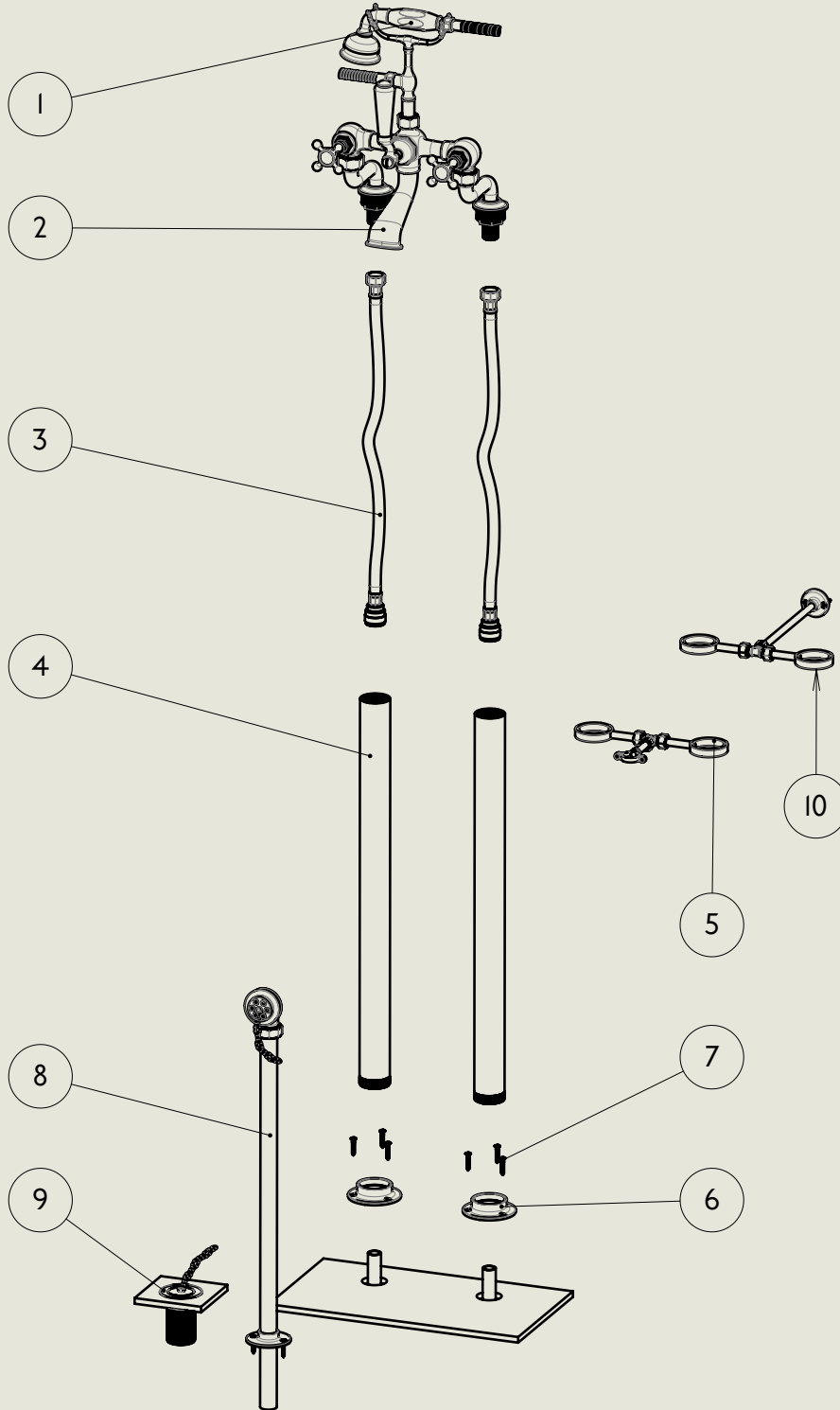
Regent 4310/3400DP, 1890's Style Bath
Floor Stand

Mixer Fitting



BY APPOINTMENT TO
HER MAJESTY QUEEN ELIZABETH II
MANUFACTURE OF KITCHEN & BATHROOM TAPS & MIXERS
BARBER WILSONS & CO. LTD
LONDON

LONDON **BARBER WILSONS & CO** EST. 1905

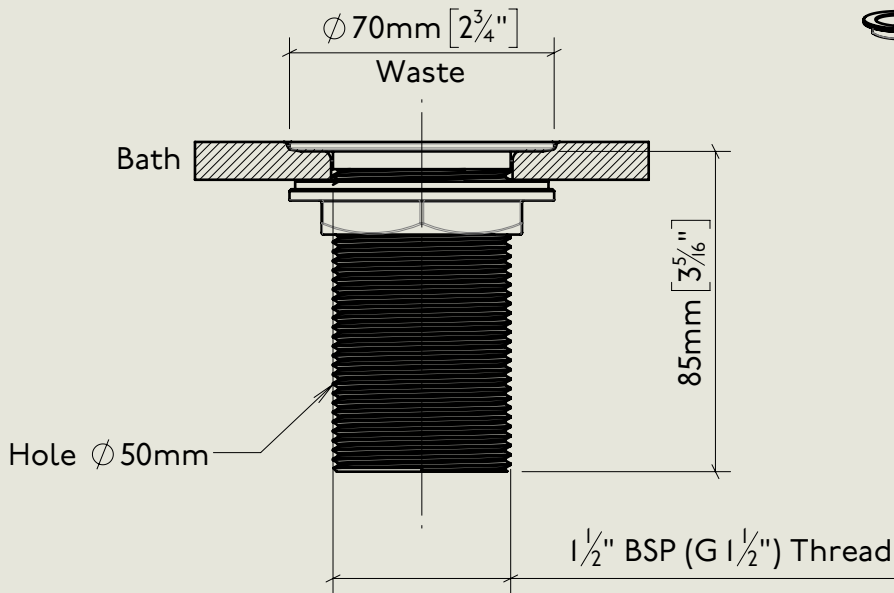
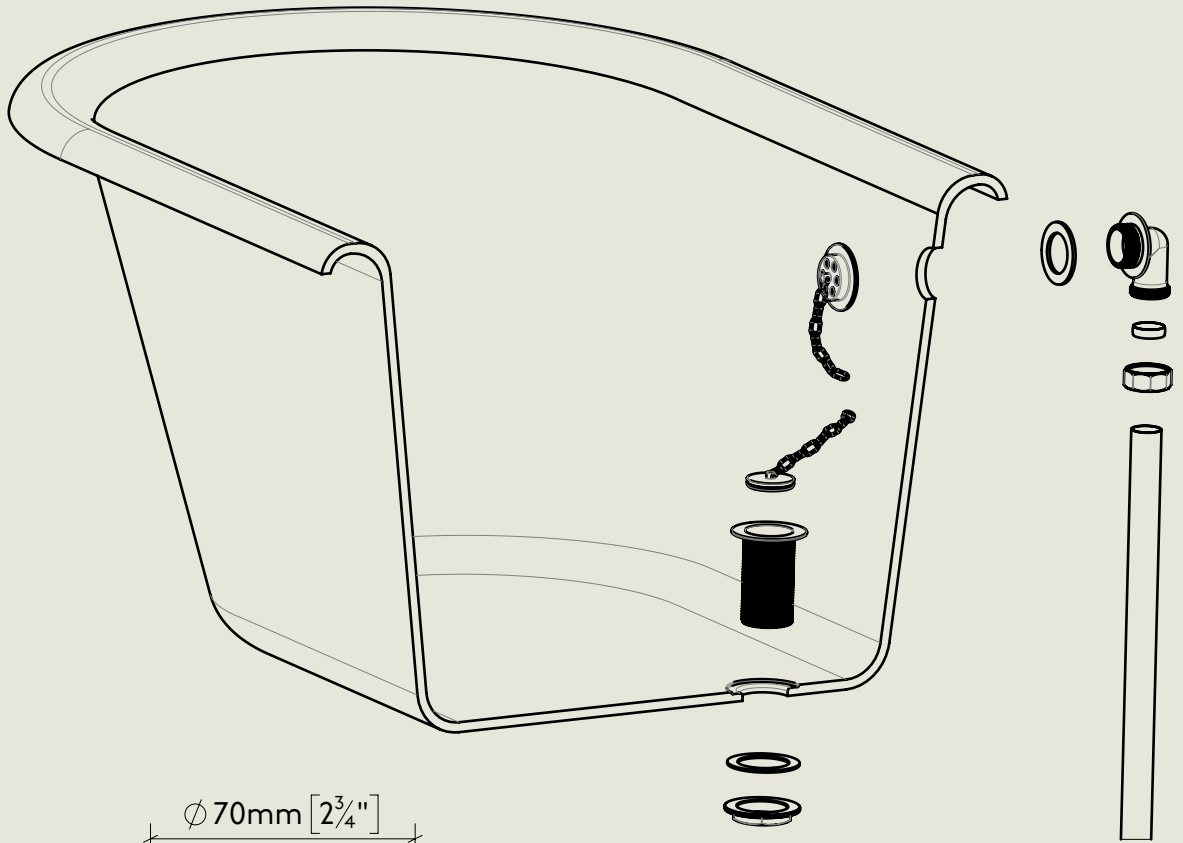


<p>Model No. R4310-3400DP-1890</p>	<p>Description Regent 4310/3400DP, 1890's Style Bath Floor Stand Extended Unions on 2" Floor Stands Including Bath Waste with Overflow to Floor.</p>	<p>Exploded</p>
--	--	-----------------



BY APPOINTMENT TO
HER MAJESTY QUEEN ELIZABETH II
MANUFACTURE OF KITCHEN & BATHROOM TAPS & MIXERS
BARBER WILSONS & CO. LTD
LONDON

LONDON **BARBER WILSONS & CO** EST. 1905



American adapters fitted as standard when purchased via BW&Co USA

Model No. -	Description Bath Waste Overflow Trap	Waste/Overflow
----------------	---	----------------