

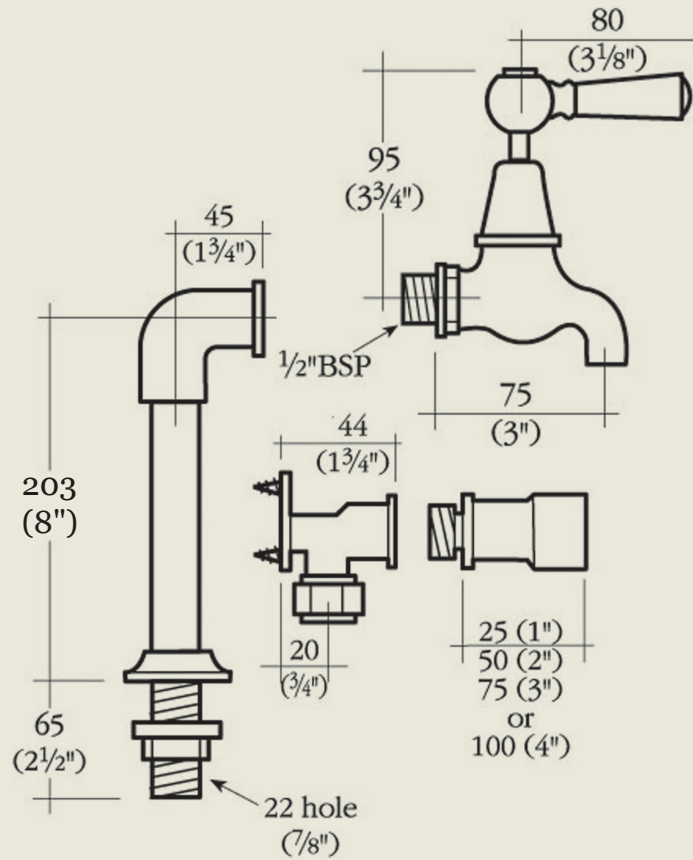


BY APPOINTMENT TO  
HER MAJESTY QUEEN ELIZABETH II  
MANUFACTURER OF KITCHEN & BATHROOM TAPS & MIXERS  
BARBER WILSONS & CO. LTD.  
LONDON

LONDON

BARBER WILSONS & CO

EST. 1905



**Model No.** R7 @60-189\$, \*image shows 1900 headworks  
91 hYbg]cbg' 5j ailable

**Internals** Standard-3/4 turn ceramic cartridge  
Optional compression cartridge available

MADE IN LONDON



info@barberwilsons.co.uk  
+44 (0) 20 8888 3461

Barber Wilsons & Co Ltd, Crawley Road, London N22 6AH  
REG. OFFICE. AS ABOVE - REG. NO. 100285 ENGLAND

BARBERWILSONS.COM