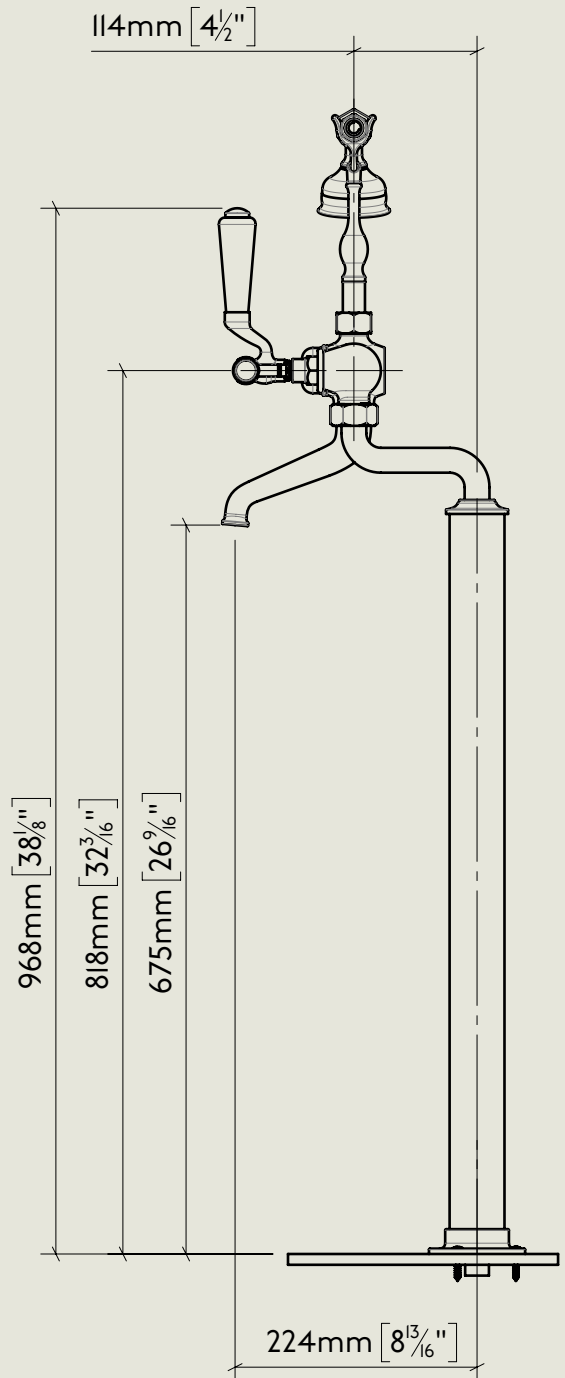
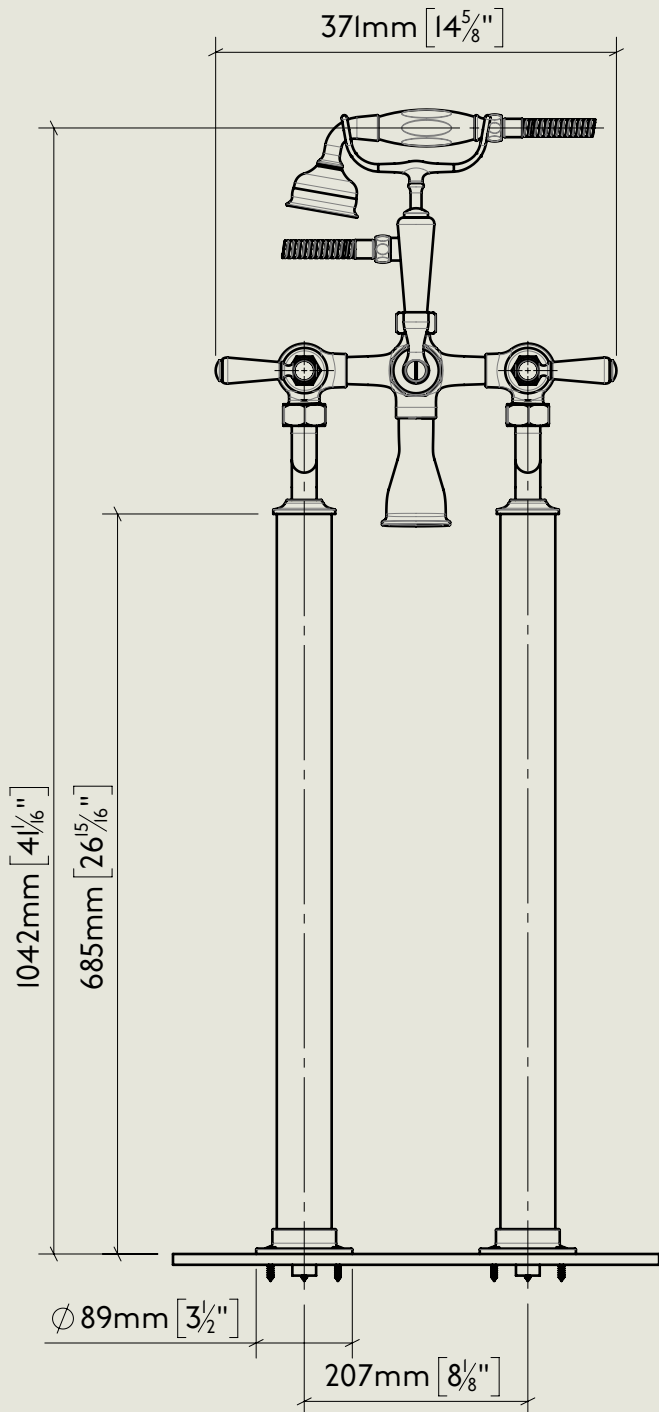




BY APPOINTMENT TO
HER MAJESTY QUEEN ELIZABETH II
MANUFACTURE OF KITCHEN & BATHROOM TAPS & MIXERS
BARBER WILSONS & CO. LTD
LONDON

LONDON **BARBER WILSONS & CO** EST. 1905



American adapters fitted as standard when purchased via BW&Co USA

<p>Model No. RML4310-1890</p>	<p>Description Regent Metal Lever 4310, 1890's Style Bath Floor Stand Extended Unions on 2" Floor Stands Including Bracing Kit.</p>	<p>Complete</p>
-----------------------------------	---	-----------------

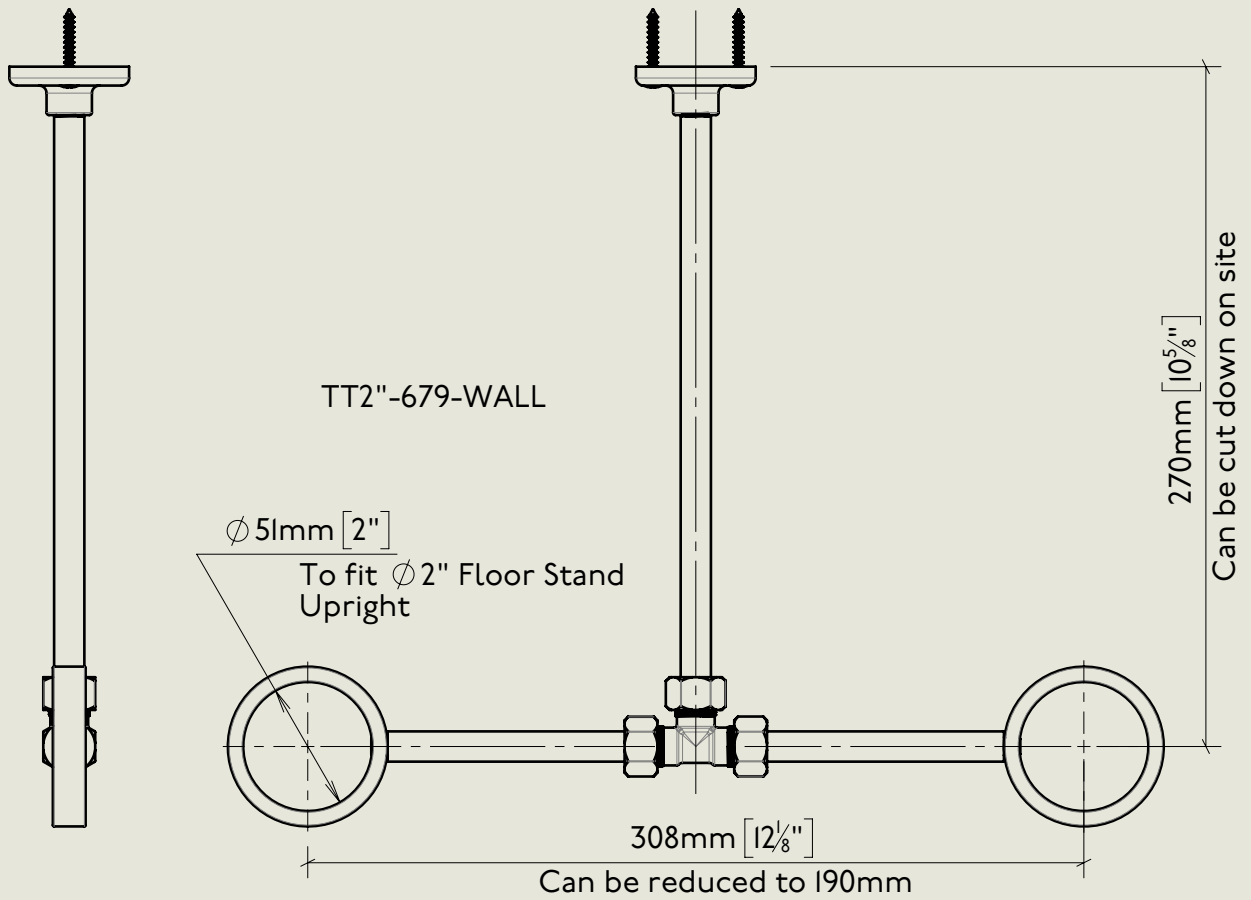
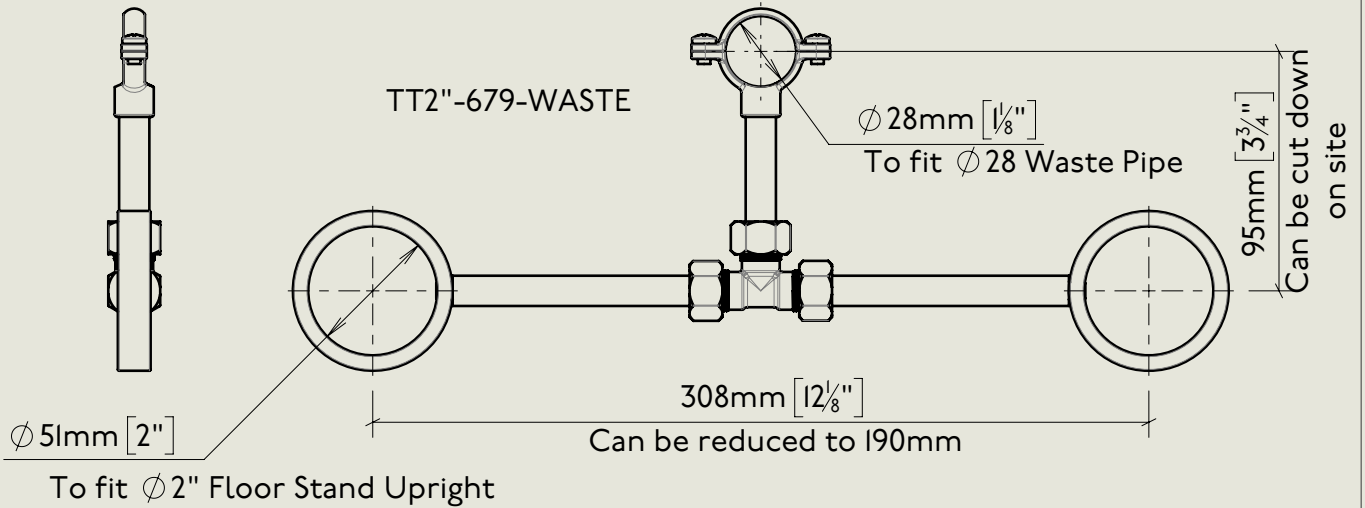


BY APPOINTMENT TO
HER MAJESTY QUEEN ELIZABETH II
MANUFACTURE OF KITCHEN & BATHROOM TAPS & MIXERS
BARBER WILSONS & CO. LTD
LONDON

LONDON

BARBER WILSONS & CO

EST. 1905



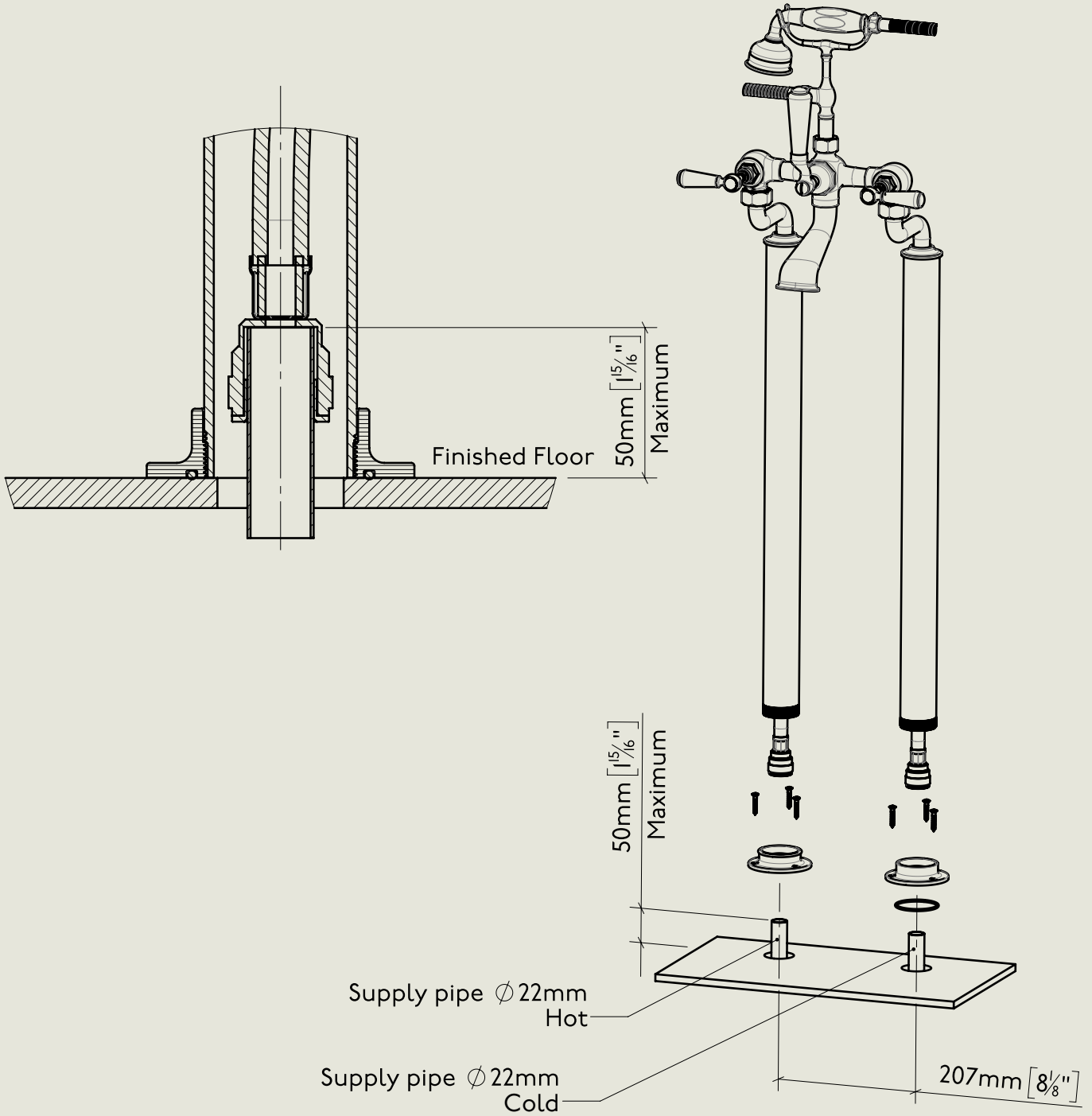
American adapters fitted as standard when purchased via BW&Co USA

Model No.	Description	
TT2"-679	2" Bracing Kit	Bracing Kit



BY APPOINTMENT TO
HER MAJESTY QUEEN ELIZABETH II
MANUFACTURE OF KITCHEN & BATHROOM TAPS & MIXERS
BARBER WILSONS & CO. LTD
LONDON

LONDON BARBER WILSONS & CO EST. 1905



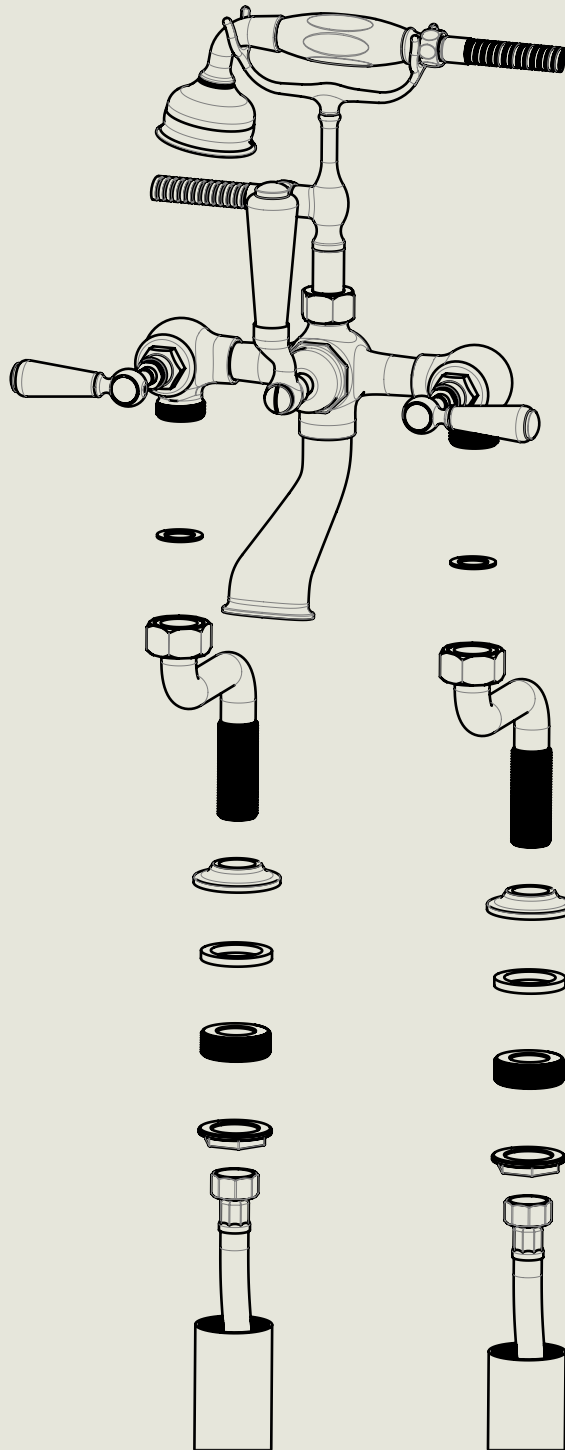
American adapters fitted as standard when purchased via BW&Co USA

<p>Model No. RML4310-1890</p>	<p>Description Regent Metal Lever 4310, 1890's Style Bath Floor Stand</p>	<p>Floor Fitting</p>
-----------------------------------	---	----------------------



BY APPOINTMENT TO
HER MAJESTY QUEEN ELIZABETH II
MANUFACTURE OF KITCHEN & BATHROOM TAPS & MIXERS
BARBER WILSONS & CO. LTD
LONDON

LONDON BARBER WILSONS & CO EST. 1905

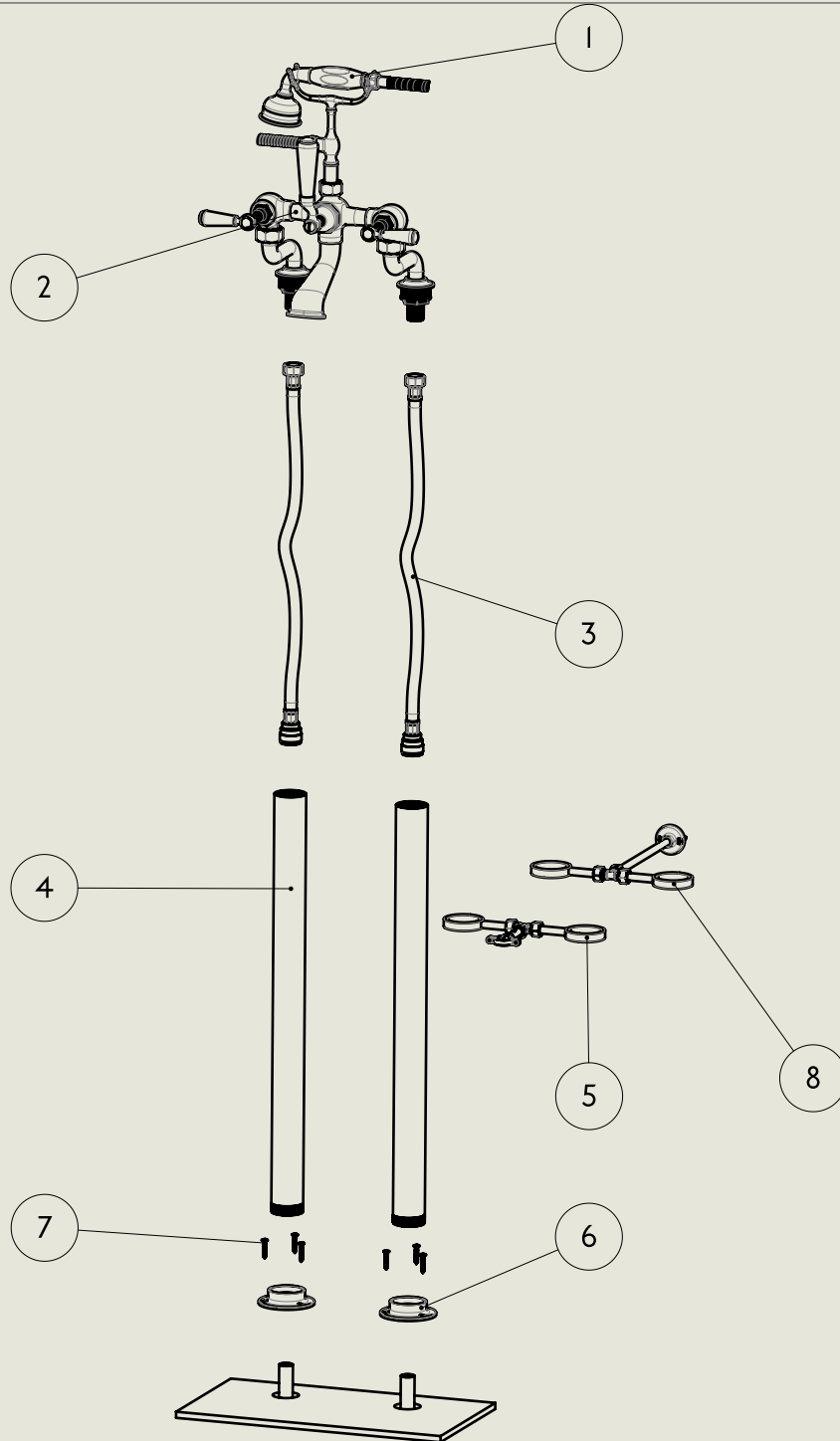


Model No. RML4310-1890	Description Regent Metal Lever 4310, 1890's Style Bath Floor Stand	Mixer Fitting
---------------------------	--	---------------



BY APPOINTMENT TO
HER MAJESTY QUEEN ELIZABETH II
MANUFACTURE OF KITCHEN & BATHROOM TAPS & MIXERS
BARBER WILSONS & CO. LTD
LONDON

LONDON **BARBER WILSONS & CO** EST. 1905



American adapters fitted as standard when purchased via BW&Co USA

<p>Model No. RML4310-1890</p>	<p>Description Regent Metal Lever 4310, 1890's Style Bath Floor Stand</p>	<p>Exploded</p>
-----------------------------------	---	-----------------