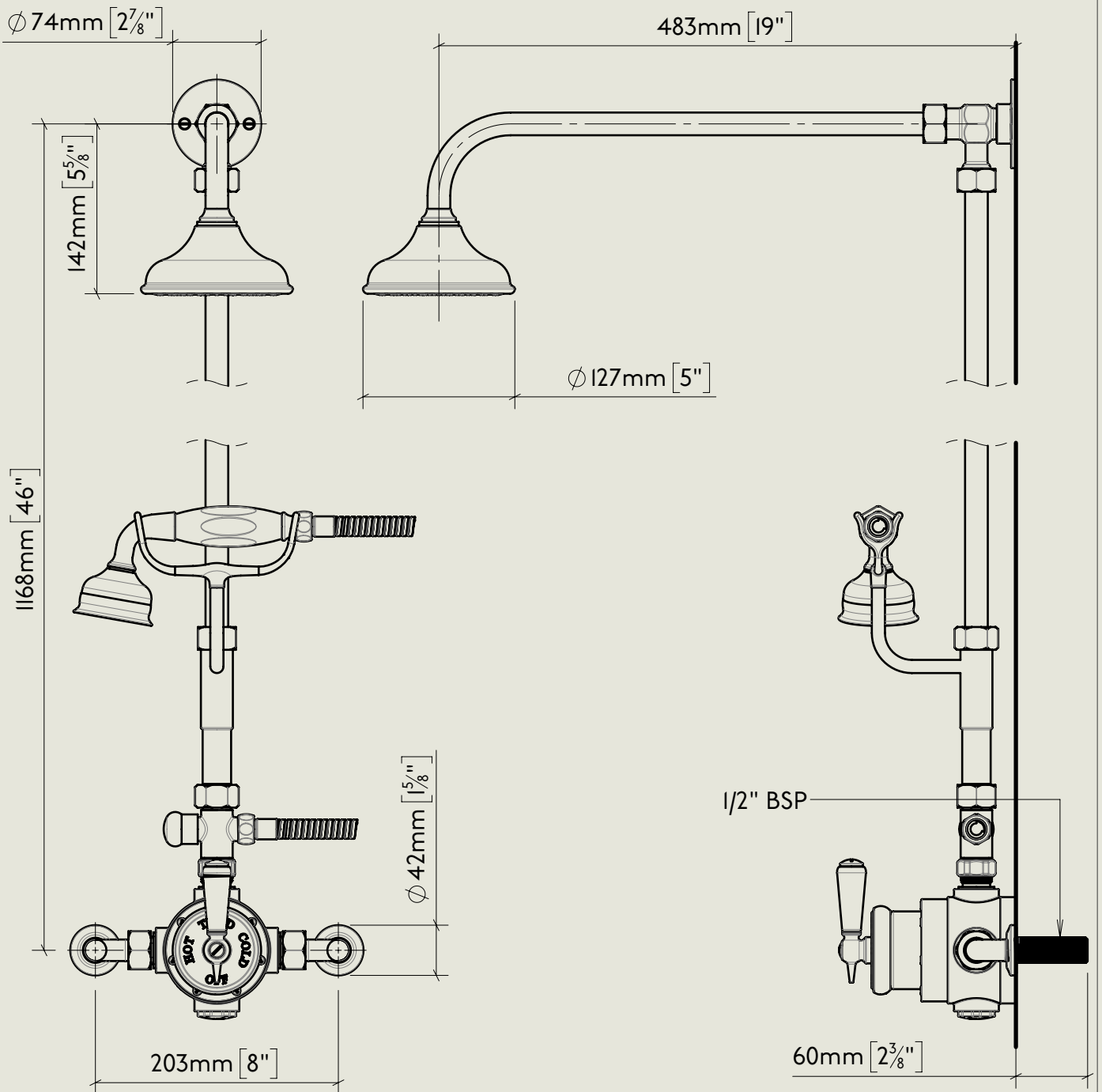




BY APPOINTMENT TO
HER MAJESTY QUEEN ELIZABETH II
MANUFACTURE OF KITCHEN & BATHROOM TAPS & MIXERS
BARBER WILSONS & CO. LTD
LONDON

LONDON **BARBER WILSONS & CO** EST. 1905



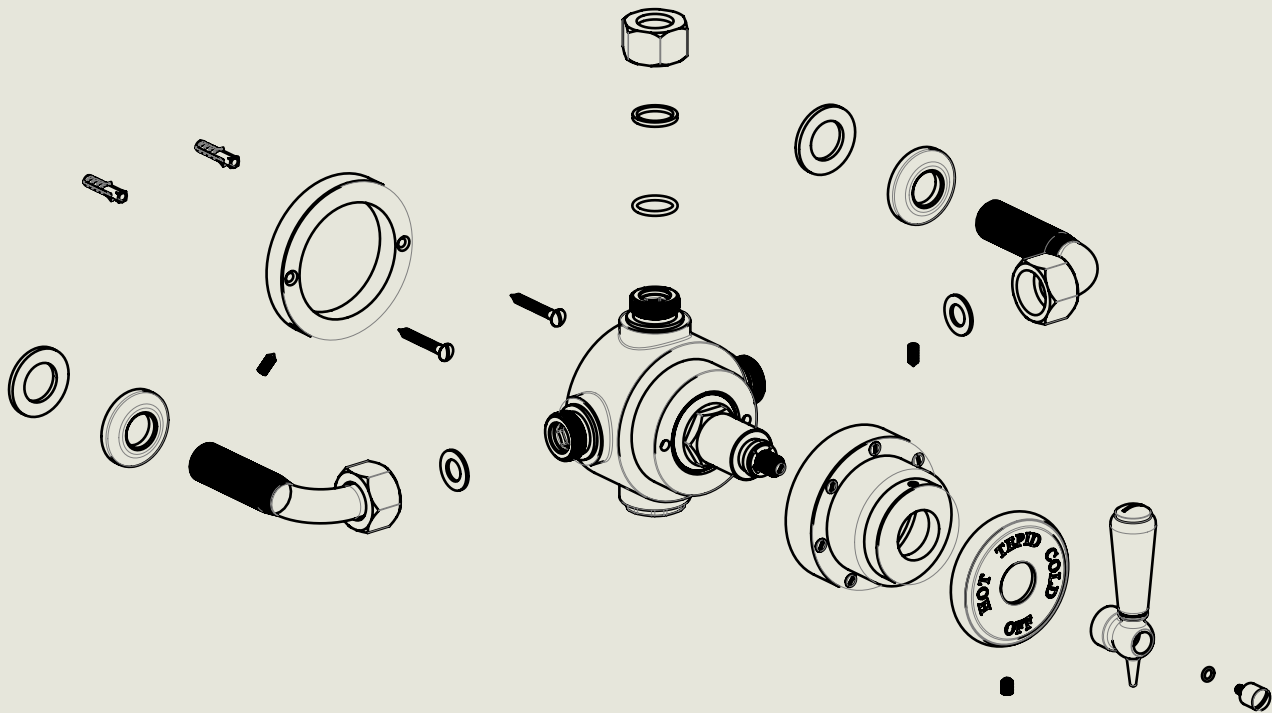
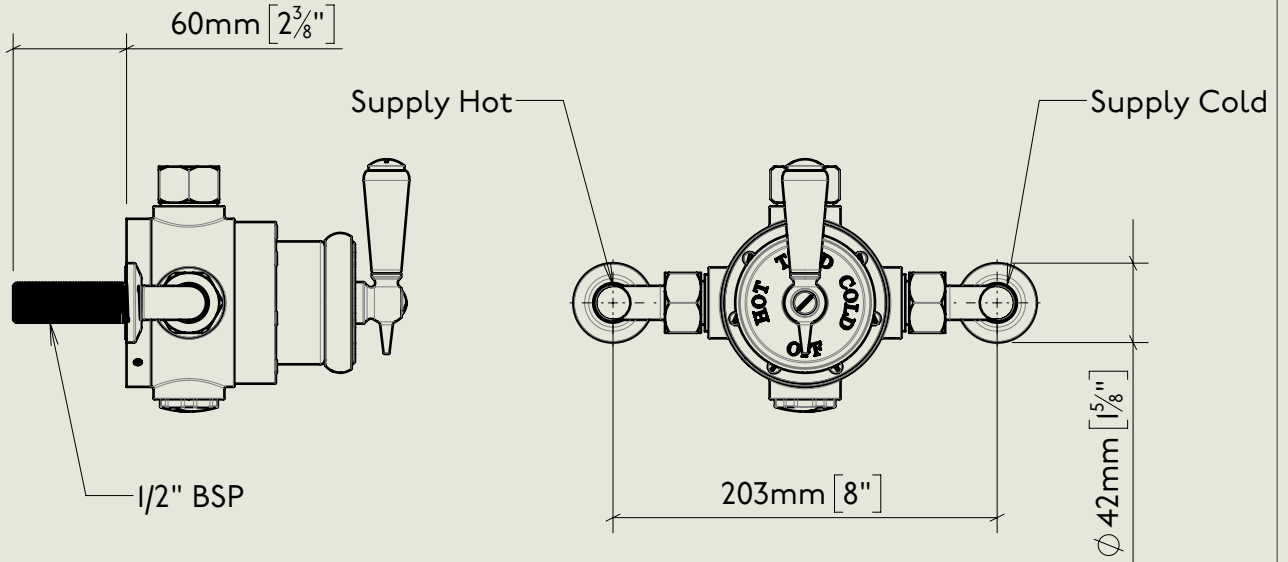
American adapters fitted as standard when purchased via BW&Co USA

Model No.	Description	
R5600-67S	Exposed Thermostatic Shower with Diverter for Handspray, 1/2" BSP Tail Inlet	Complete



BY APPOINTMENT TO
HER MAJESTY QUEEN ELIZABETH II
MANUFACTURE OF KITCHEN & BATHROOM TAPS & MIXERS
BARBER WILSONS & CO. LTD
LONDON

LONDON **BARBER WILSONS & CO** EST. 1905



American adapters fitted as standard when purchased via BW&Co USA

<p>Model No.</p> <p>RPS53</p>	<p>Description</p> <p>Regent PS53 Exposed Regent Thermostatic Shower Valve, 1/2" BSP Tail Inlet</p>	<p>Thermostat</p>
-------------------------------	---	-------------------

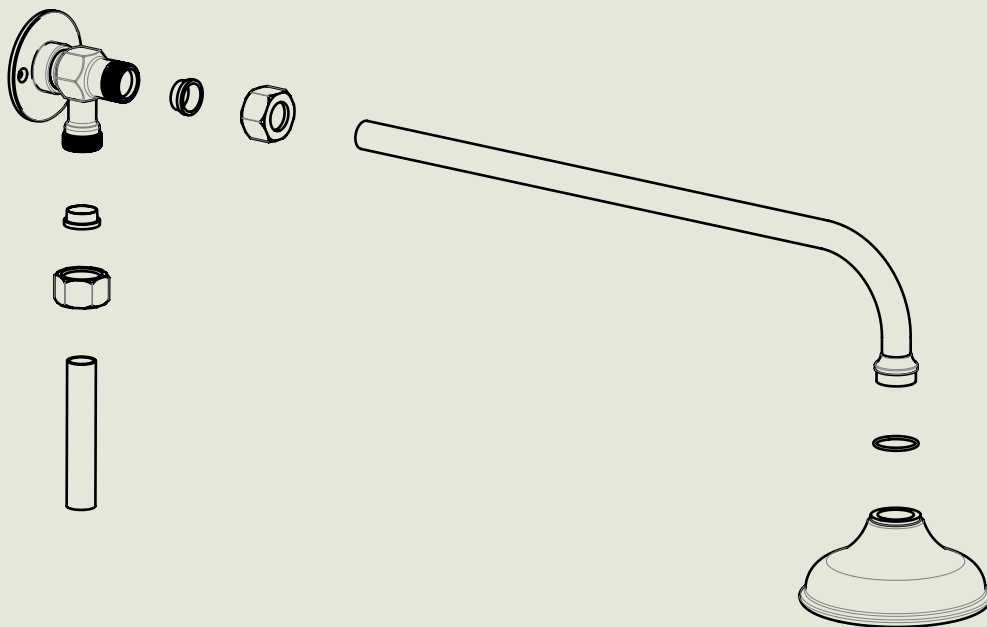
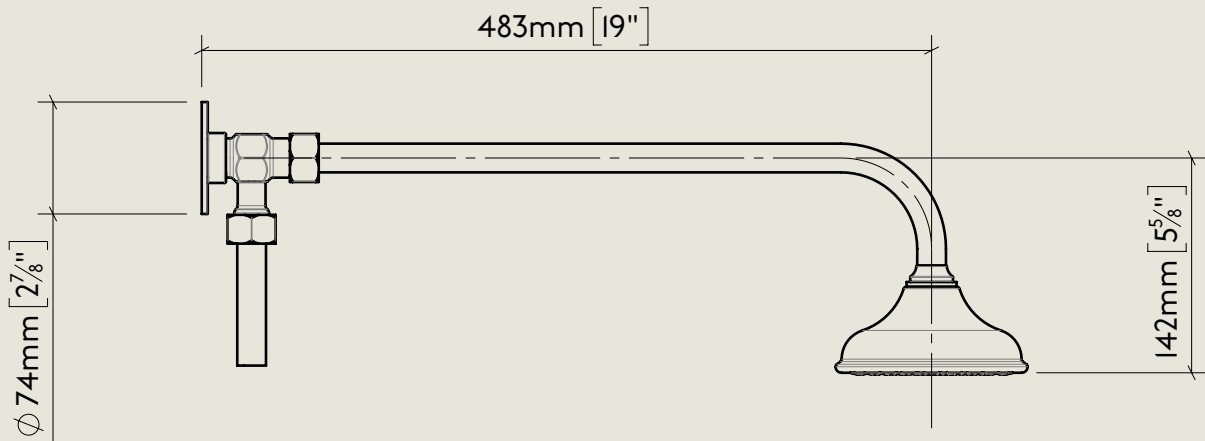


BY APPOINTMENT TO
HER MAJESTY QUEEN ELIZABETH II
MANUFACTURE OF KITCHEN & BATHROOM TAPS & MIXERS
BARBER WILSONS & CO. LTD
LONDON

LONDON

BARBER WILSONS & CO

EST. 1905



American adapters fitted as standard when purchased via BW&Co USA

Model No.

PS40A-PS29S / PSI0

Description

Exposed Back Plate and Seventeen and
a Half Inch Shower Arm with Fixed
Drench Head Rose 5"

Headwork

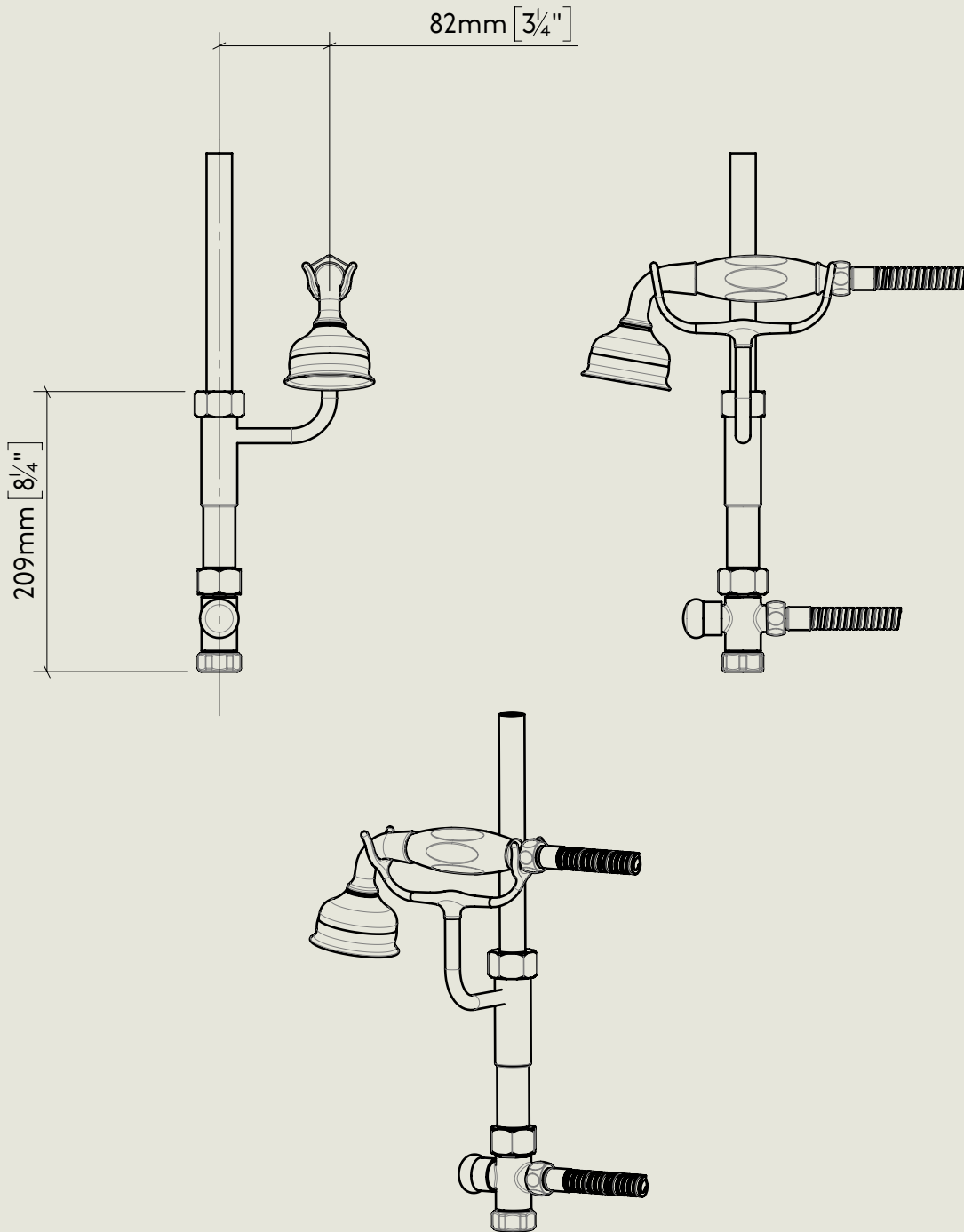


BY APPOINTMENT TO
HER MAJESTY QUEEN ELIZABETH II
MANUFACTURE OF KITCHEN & BATHROOM TAPS & MIXERS
BARBER WILSONS & CO. LTD
LONDON

LONDON

BARBER WILSONS & CO

EST. 1905



American adapters fitted as standard when purchased via BW&Co USA

Model No.

R67S

Description

R67S, Handspray with Divertor Kit

Handspray